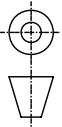


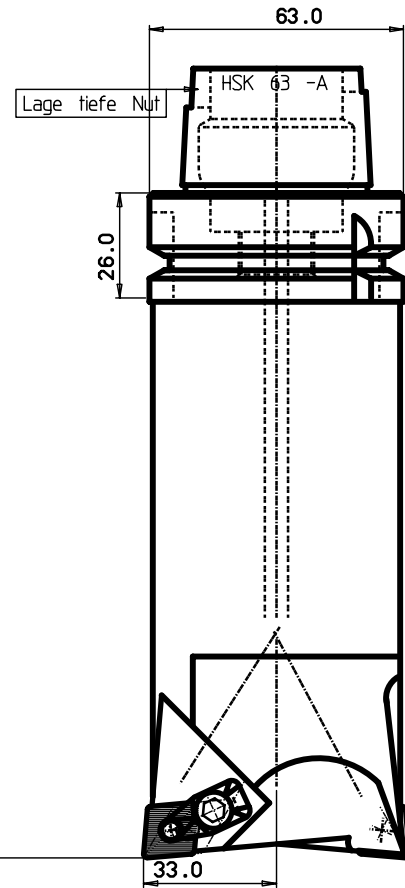
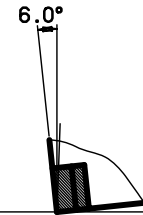
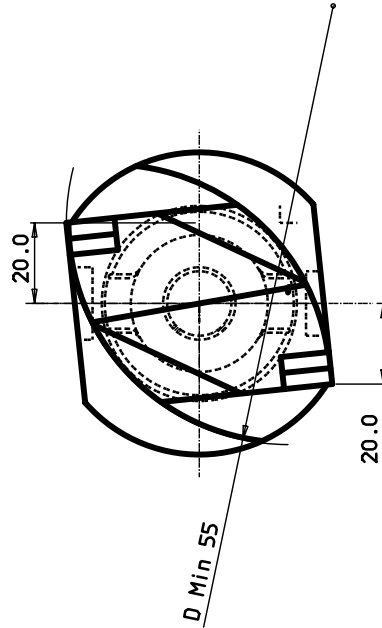
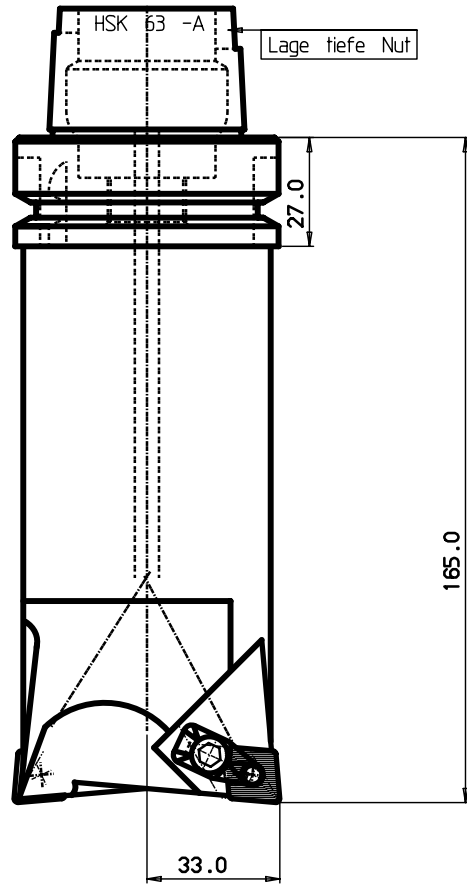
1:1
 1:2
 1:5
 1:10
 1:20
 1:50
 1:100
 1:200
 1:500
 1:1000
 1:2000
 1:5000
 1:10000

100 mm
90
80
70
60
40
30
20
10
0

MICROFILMED



30-0000-2



HM-Platte CNM..120408

ITEM	QNTY	DESCRIPTION	MATERIAL AND REMARKS	LIBRATED DRAWING	LIBR.	LIBR.
7	1	Schraube f. Unterlage	5513 020-02			
6	1	Unterlage	5322 425-01			
5	1	Spannsatz	5412 028-021			
4	1	Schraube f. Unterlage	5513 020-02			
3	1	Unterlage	5322 425-01			
2	1	Spannsatz	5412 028-021			
1	1	Schaft				

ITEM	QNTY	DESCRIPTION	MATERIAL AND REMARKS	LIBRATED DRAWING	LIBR.	LIBR.
CATEGORY	DESIGNED	DRAWN	CHECKED	DATE	SCALE	SUPERSEDES
TITLE						
Schneidkopf						
REFERENCE						
MODIFICATION				DESIGN OFFICE	DRAWING NUMBER	
				HSK63A-T-DCL12DCL12L165		

