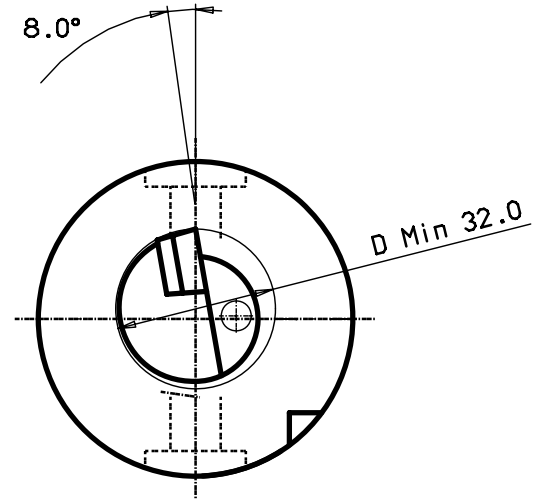
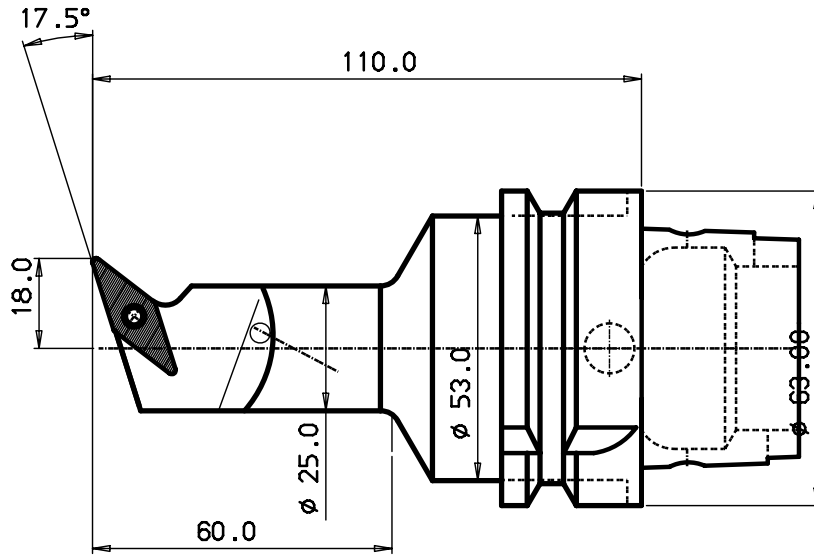


Show of detail and dimension lines of an item and its parts to be used when an object is shown in this drawing (see the property of the drawing standard)

DESIGN OFFICE | DRAWING NUMBER



HM-Platte VBMT 160404

4	1	Schraube f. Zw	5512 090-01
3	1	Zwischenlage	5322 270-01
2	1	Schraube f. Platte	5513 020-01
1			

ITEM	QNTY	DESCRIPTION	MATERIAL AND REMARKS	RELATED DRAWING	UNIT	SIZE
CATEGORY	DESIGNED	DRAWN	CHECKED	DATE	SCALE	SUPERSEDES

REFERENCE

**Schneidkopf
Cutting-Unit**

HAVRANEK
C. HAVRANEK
s.p.a.

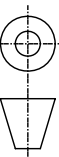
MODIFICATION | ABCDEFGHIJKLMNOPQRSTUVWXYZ
DESIGN OFFICE | DRAWING NUMBER
HSK63A-SVQBL-18119-16

Tolerance systems acc to ISO
Surface roughness Ra um

Where tolerance not stated:
For threads SS-iso 965/3
For dimensions SS 715 Medium

Dimension	Tol	Angle (Shortest adjacent side in mm)	Tol
-6	+0,10	10	± 1'
(6) - 30	+0,20		± 30'
(30) - 120	+0,30	(10) - 50	± 20'
(120) - 315	+0,50	(50) - 120	± 30'
(315) - 1000	+0,80	(120) -	± 40'

MICROFILMED



340-CP010-2

MOD.	LOCATION	CHANGE	REFERENCE	DATE	SIGN