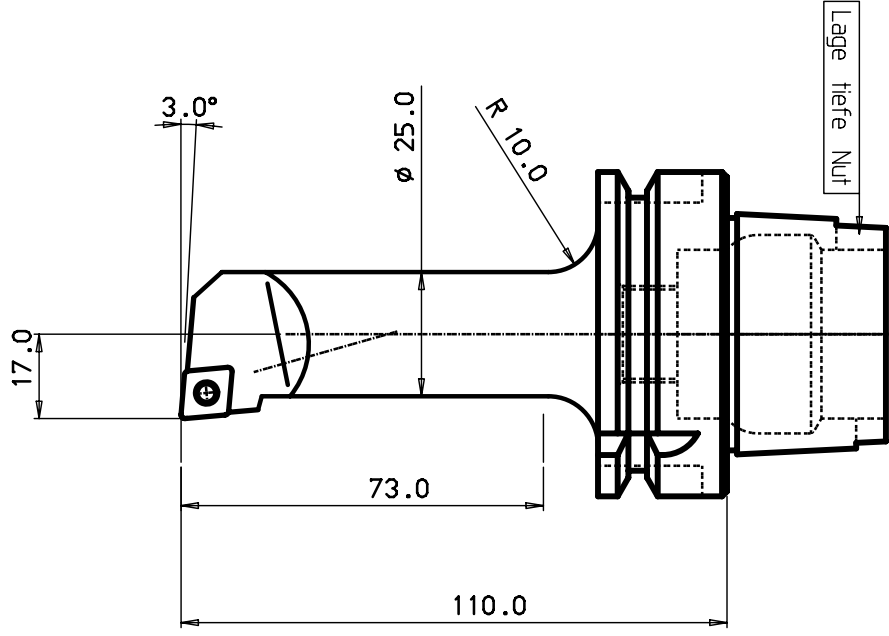


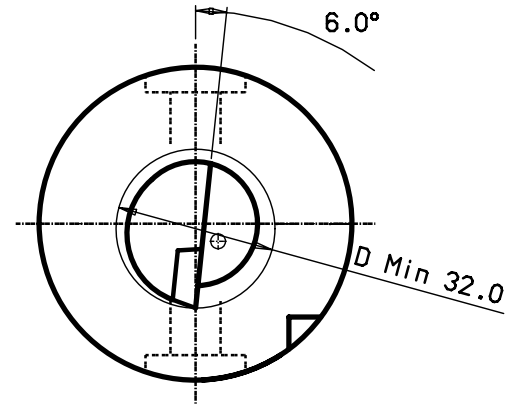
Show or hidden area to complete lines or an hidden area is not to be covered by a present or future change. The change retains the property of the SHOWN TOBANK

100 mm
 90
 80
 70
 60
 40
 30
 20
 10
 0

MICROFILMED



HSK 63 -A



HM.Platte CCMT09T308

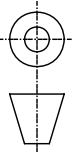
4	1						
3	1						
2	1	Schraube f. Platte				5513 020-09	
1							

ITEM	QNTY	DESCRIPTION	MATERIAL AND REMARKS		RELATED DRAWING	ITEM	ISSUE
CATEGORY	DESIGNED	DRAWN	CHECKED	DATE	SCALE	SUPERSEDES	
TITLE							
		<i>Schneidkopf</i>					
REFERENCE				MODIFICATION	ABCDEFGHIJKLMNPRSTUVWXYZ		
				DESIGN OFFICE	DRAWING NUMBER		
				HSK63A-SCLCR-17110-09			

Tolerance systems acc to ISO
 Surface roughness Ra um

Where tolerance not stated:
 For threads SS-iso 965/3
 For dimensions SS 715 Medium

Dimension	Tol	Angle (Shortest adjacent side in mm)	Tol
-6	+0.10	10	± 1'
(6) - 30	+0.20		± 30'
(30) - 120	+0.30	(10) - 50	± 20'
(120) - 315	+0.50	(50) - 120	
(315) - 1000	+0.80	(120) -	



340-0700-2

MOD	LOCATION	CHANGE	REFERENCE	DATE	SIGN