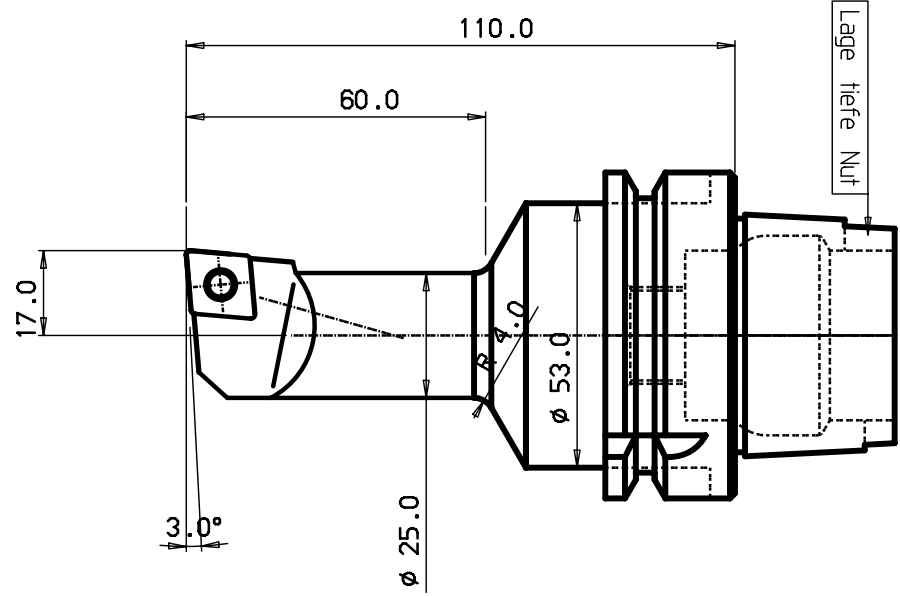


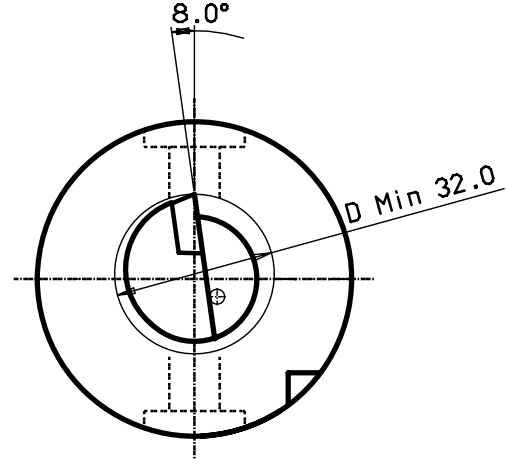
Show of thread and chamfer lines of an HSK tool
 and its fit to be used with an HSK tool holder
 (its drawing reads the property of an HSK tool holder)

100 mm
 90
 80
 70
 60
 40
 30
 20
 10
 0

MICROFILMED



HSK 63 -A



HM-Platte CCMT 120408

4	1						
3	1						
2	1	Schraube f. Platte					
1							

ITEM	QNTY	DESCRIPTION	MATERIAL	REMARKS	RELATED DRAWING	UNIT	DATE
CATEGORY	DESIGNED	DRAWN	CHECKED	DATE	SCALE	SUPERSEDES	

TITLE: **Schneidkopf**

REFERENCE: ABCDEFGHIJKLMNOPQRSTUVWXYZ

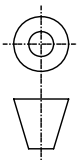
MODIFICATION: HSK63A-SCLCL-17110-12

DESIGN OFFICE: DRAWING NUMBER

Tolerance systems acc to ISO
 Surface roughness Ra um

Where tolerance not stated:
 For threads SS-iso 965/3
 For dimensions SS 715 Medium

Dimension	Tol	Angle (Shortest adjacent side in mm)	Tol
-6	+0.10	10	± 1'
(6) - 30	+0.20	10	± 30'
(30) - 120	+0.30	10	± 20'
(120) - 315	+0.50	10	± 20'
(315) - 1000	+0.80	10	± 20'



340-01010-2

MOD. LOCATION	CHANGE REFERENCE	DATE	SIGN
	2	V 3	4