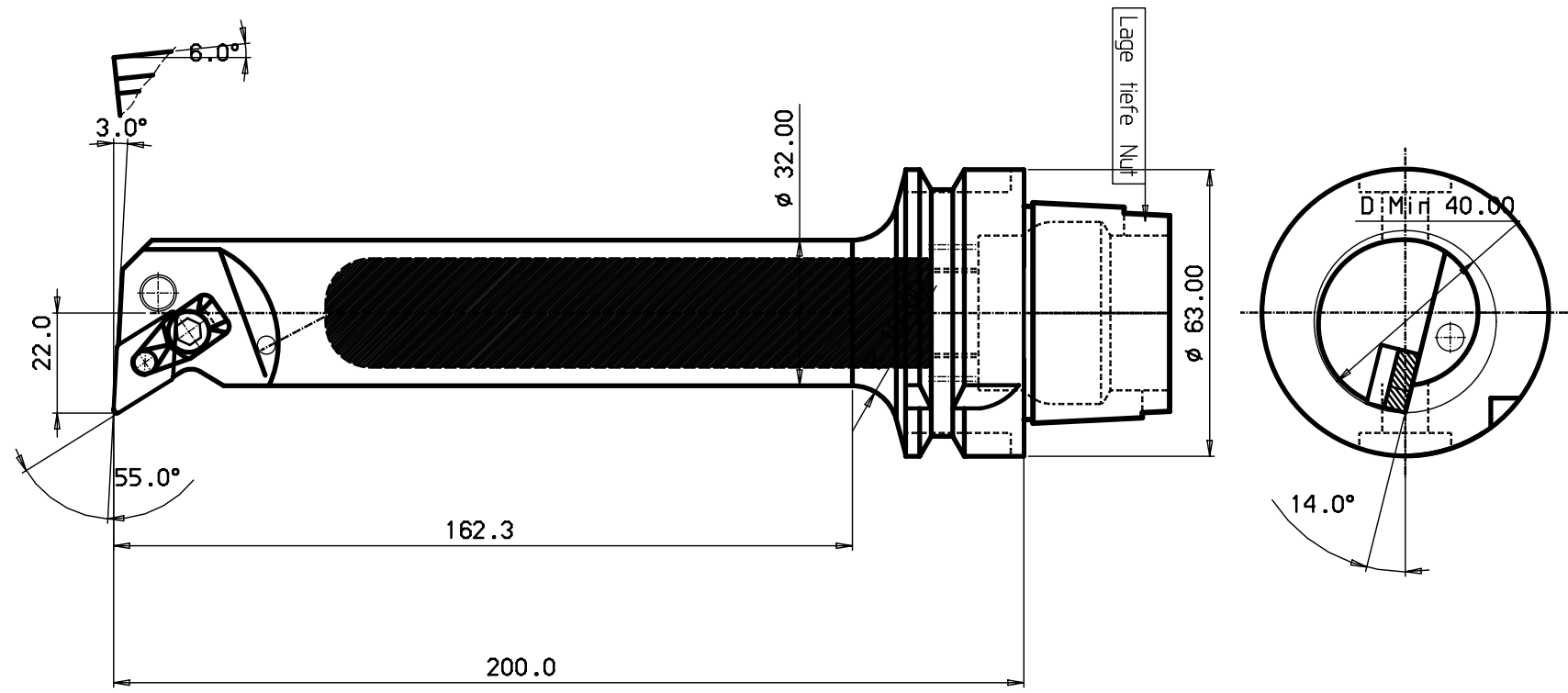


Show a detail next to complete lines or on their ends
 and do not to be covered when it is necessary to show
 the drawing means the property of the SHANK (TOLERANCE)

DESIGN OFFICE | DRAWING NUMBER



100 mm
 90
 80
 70
 60
 40
 30
 20
 10
 0

MICROFILMED

HM-Platte DN.150612

ITEM	QNTY	DESCRIPTION	MATERIAL AND REMARKS	RELATED DRAWING	ITEM	SIZE
6	1	Spannplatte-Satz		54.12-028-021		
5	1	Schraube		174.3-830		
4	1	Rohrstift		174.3-861		
3	1	Unterlage		174.35-855		
2	1	Kniehebel		174.3-847M		

Tolerance systems acc to ISO
 Surface roughness Ra um

Where tolerance not stated:
 For threads SS-iso 965/3
 For dimensions SS 715 Medium

Dimension	Tol	Angle (Shortest adjacent side in mm)	Tol
-6	+0.10		
(6) - 30	+0.20		
(30) - 120	+0.30	(10) - 50	± 30'
(120) - 315	+0.50	(50) - 120	± 20'
(315) - 1000	+0.80	(120) -	± 10'

CATEGORY	DESIGNED	DRAWN	CHECKED	DATE	SCALE	SUPERSEDES

**Schneidkopf
 Cutting-Unit**



REFERENCE	MODIFICATION	DESIGN OFFICE	DRAWING NUMBER
	A B C D E F G H J K L M N P R S T U V X Y Z		