

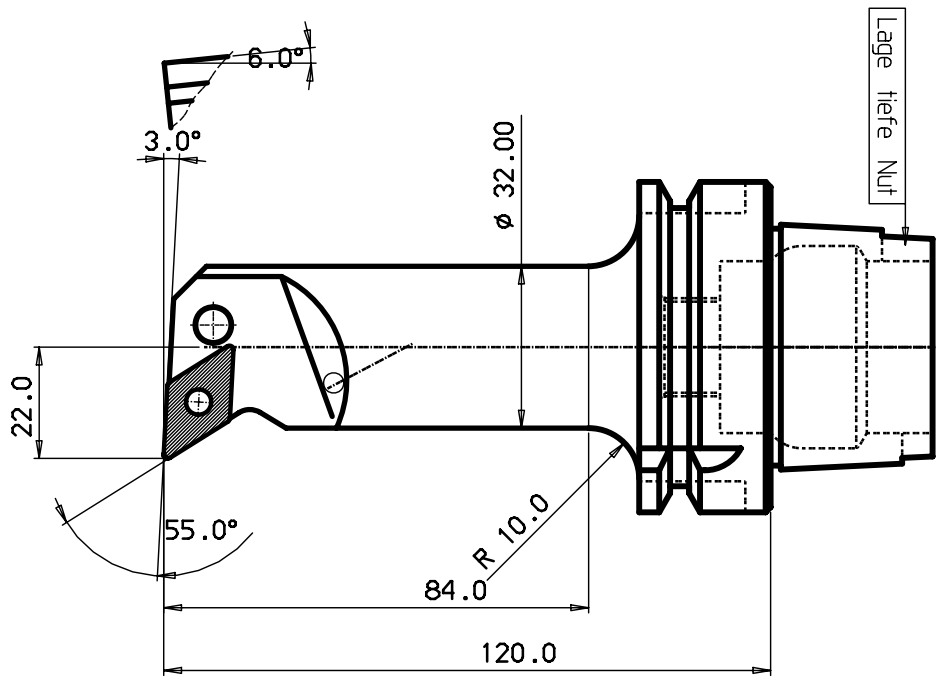
MOD	LOCATION	CHANGE REFERENCE	DATE	SIGN	(375) - 1000 ±0.80	(120) - ± 10'	7	8
1		2	3	4	5	6	7	8

DESIGN OFFICE | DRAWING NUMBER

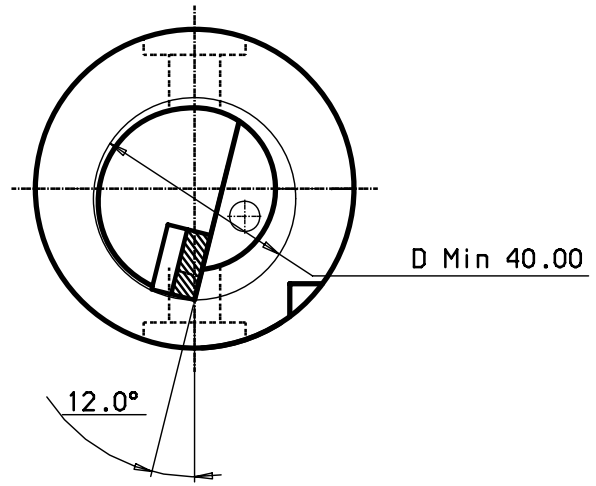
Show a shaded area in perspective lines of an object and not a red line. It is not to be used for perspective drawings. The drawing means the property of the drawing (drawing).

100 mm  
 90  
 80  
 70  
 60  
 40  
 30  
 20  
 10  
 0

MICROFILMED



HSK 63 - A



HM-Platte DN.. 1506..

5	1	Schraube	174.3-830
4	1	Rohrstift	174.3-861
3	1	Unterlage	171.35-855
2	1	Kniehebel	174.3-847M

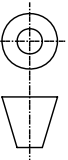
ITEM	QNTY	DESCRIPTION	MATERIAL AND REMARKS	RELATED DRAWING	UNIT	SIZE
CATEGORY	DESIGNED	DRAWN	CHECKED	DATE	SCALE	SUPERSEDES

TITLE

**Schneidkopf**



REFERENCE	MODIFICATION	DESIGN OFFICE	DRAWING NUMBER
	A B C D E F G H I J K L M N P R I S T U V X Y Z		HSK63A-PDUNR-22120-15



MOD	LOCATION	CHANGE REFERENCE	DATE	SIGN	(375) - 1000 ±0.80	(120) - ± 10'	7	8
1		2	3	4	5	6	7	8