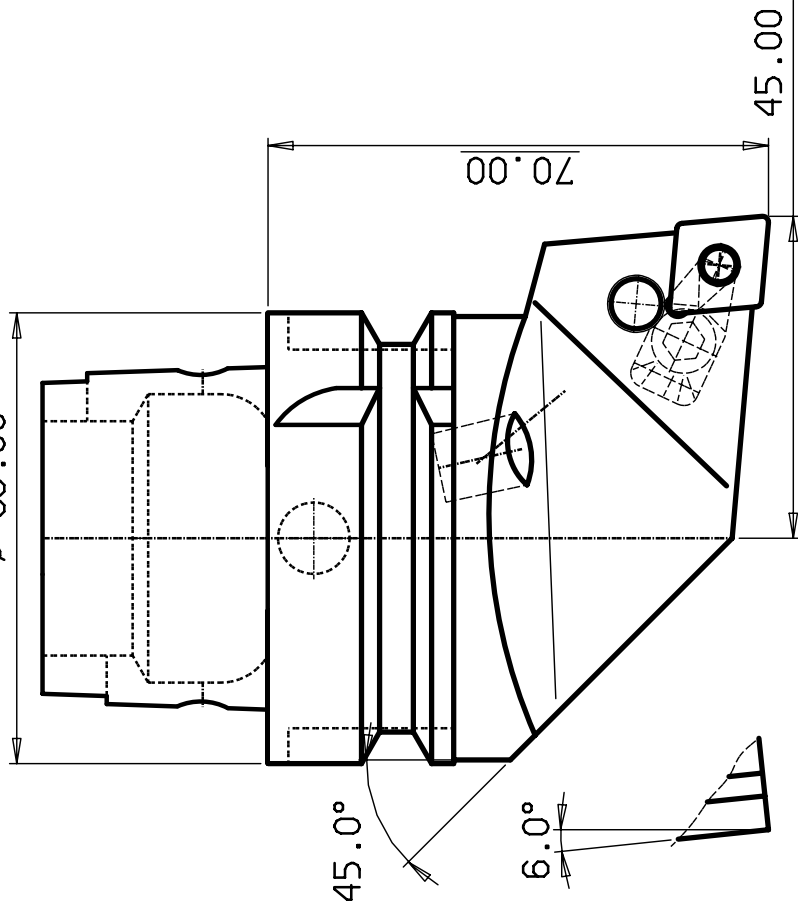
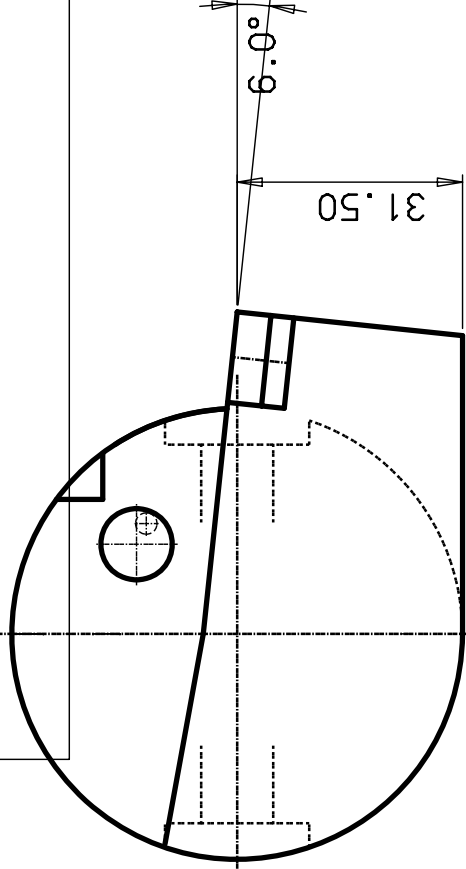


DESIGN OFFICE | DRAWING NUMBER



HM-Platte CNM.,120408

7		Kugelduese							5691 029-02
6		Spannsatz							5412 028-031
5		Schraube							174.3-821
4		Rohrstift							174.3-861
3		Unterlage							174.31-850M
2		Knihebel							174.3-841M
1		Schaft							

ITEM	QNTY	DESCRIPTION	MATERIAL AND REMARKS	RELATED DRAWING	ITEM	SIZE
CATEGORY	DESIGNED	DRAWN	CHECKED	DATE	SCALE	SUPERSEDES

**Schneidkopf**  
**Cutting-Unit**



REFERENCE	MODIFICATION	DESIGN OFFICE	DRAWING NUMBER
	ABCDEFGHIJKLMNPQRSTUWXYZ		HSK63A-PCLN R 45070-12RC