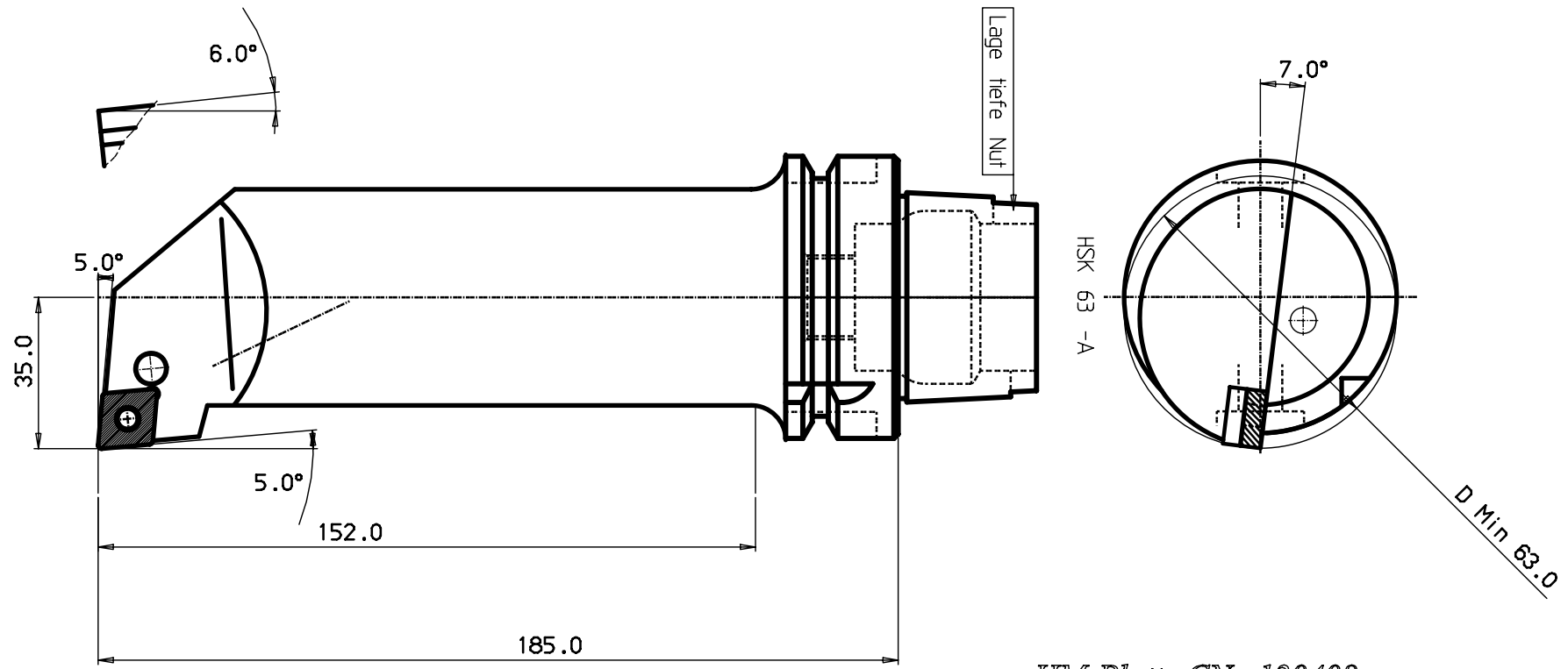


Show a hatched area by another line if the hatching  
 does not have the same direction as the hatching of the  
 hatched areas in the drawing.

MICROFILMED

100 mm  
90  
80  
70  
60  
40  
30  
20  
10  
0



*HM-Platte CN. 120408*

5	Schraube	174.3-821
4	Rohrstift	174.3-861
3	Unterlage	171.31-850M
2	Kniehebel	174.3-841M
1	Schaff	

ITEM	QNTY	DESCRIPTION	MATERIAL	AND REMARKS	RELATED DRAWING	LITH	SIZE
CATEGORY	DESIGNED	DRAWN	CHECKED	DATE	SCALE	SUPERSEDES	

Tolerance systems acc to ISO  
Surface roughness Ra um

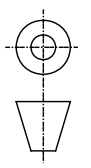
Where tolerance not stated:  
For threads SS-iso 965/3  
For dimensions SS 715 Medium

Dimension	Tol	Angle (Shortest adjacent side in mm)	Tol
-6	±0.10	10	± 1'
(6) - 30	±0.20	50	± 30'
(30) - 120	±0.30	(50) - 120	± 20'
(120) - 315	±0.50	(120) -	± 10'
(315) - 1000	±0.80		

REFERENCE

MODIFICATION | ABCDEFGHIJKLMNOPQRSTUVWXYZ  
DESIGN OFFICE | DRAWING NUMBER

**HSK63A-PCLNR-35185-12**



340-07010-2