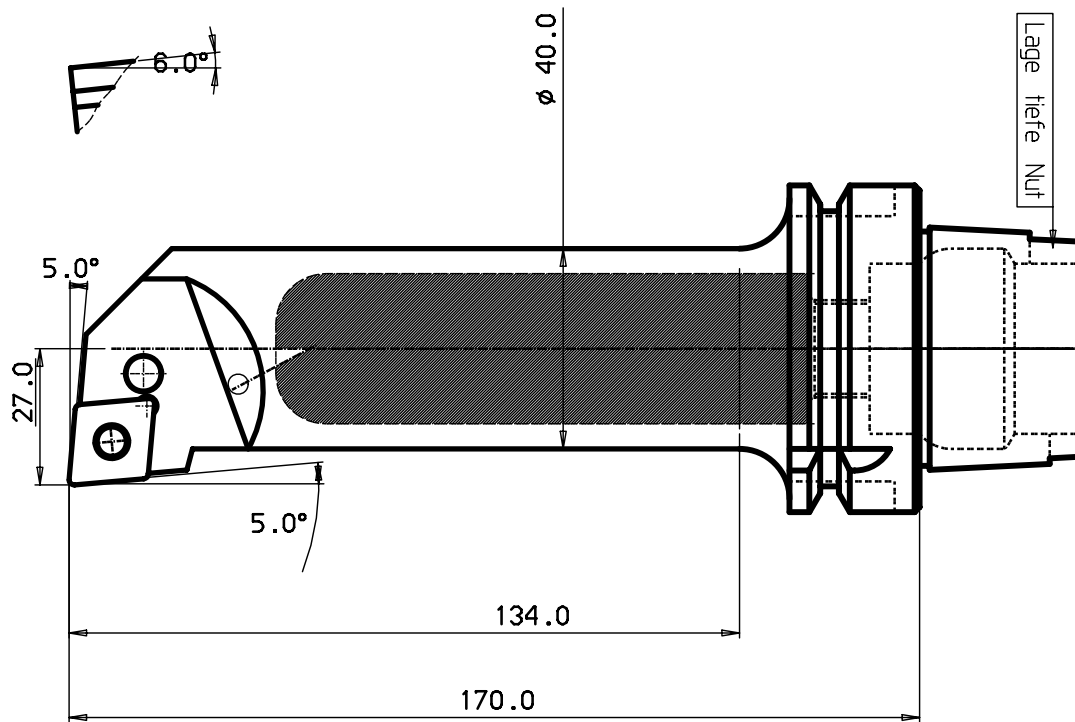


DESIGN OFFICE | DRAWING NUMBER

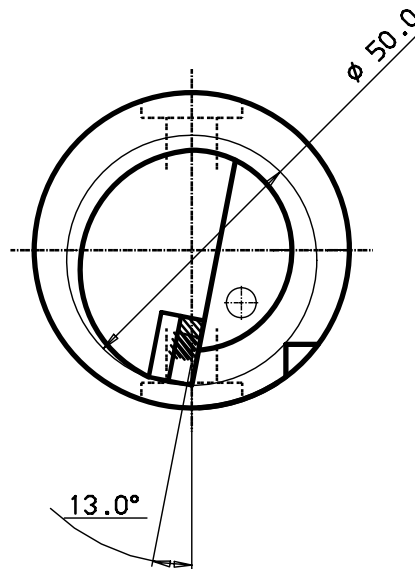
When a hatched area is complete, there is no hatching in the area of the hatched area. This means the part is not hatched.

100 mm
 90
 80
 70
 60
 40
 30
 20
 10
 0

MICROFILMED



HSK 63 -A



HM-Platte CN..160608

5	1	Schraube	4383-831
4	1	Rohrstift	174.3-864
3	1	Unterlage	
2	1	Knihebel	4383-840
1			

ITEM	QNTY	DESCRIPTION	MATERIAL AND REMARKS	RELATED DRAWING	LITR.	LSR.
CATEGORY	DESIGNED	DRAWN	CHECKED	DATE	SCALE	SUPERSEDES

Tolerance systems acc to ISO
 Surface roughness Ra um

Where tolerance not stated:
 For threads SS-iso 965/3
 For dimensions SS 715 Medium

Dimension	Tol	Angle (Shortest adjacent side in mm)	Tol
-6	±0.10	10	± 1'
(6) - 30	±0.20	50	± 30'
(30) - 120	±0.30	120	± 20'
(120) - 315	±0.50	(120) -	± 10'
(315) - 1000	±0.80		

REFERENCE

MODIFICATION | ABCDEFGHIJKLMNOPRSTUVWXYZ
 DESIGN OFFICE | DRAWING NUMBER

Schneidkopf

