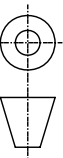


When a hatched area is dimensioned, first of all the length and second the width must be dimensioned. The hatching must be parallel to the primary direction of the hatched area.

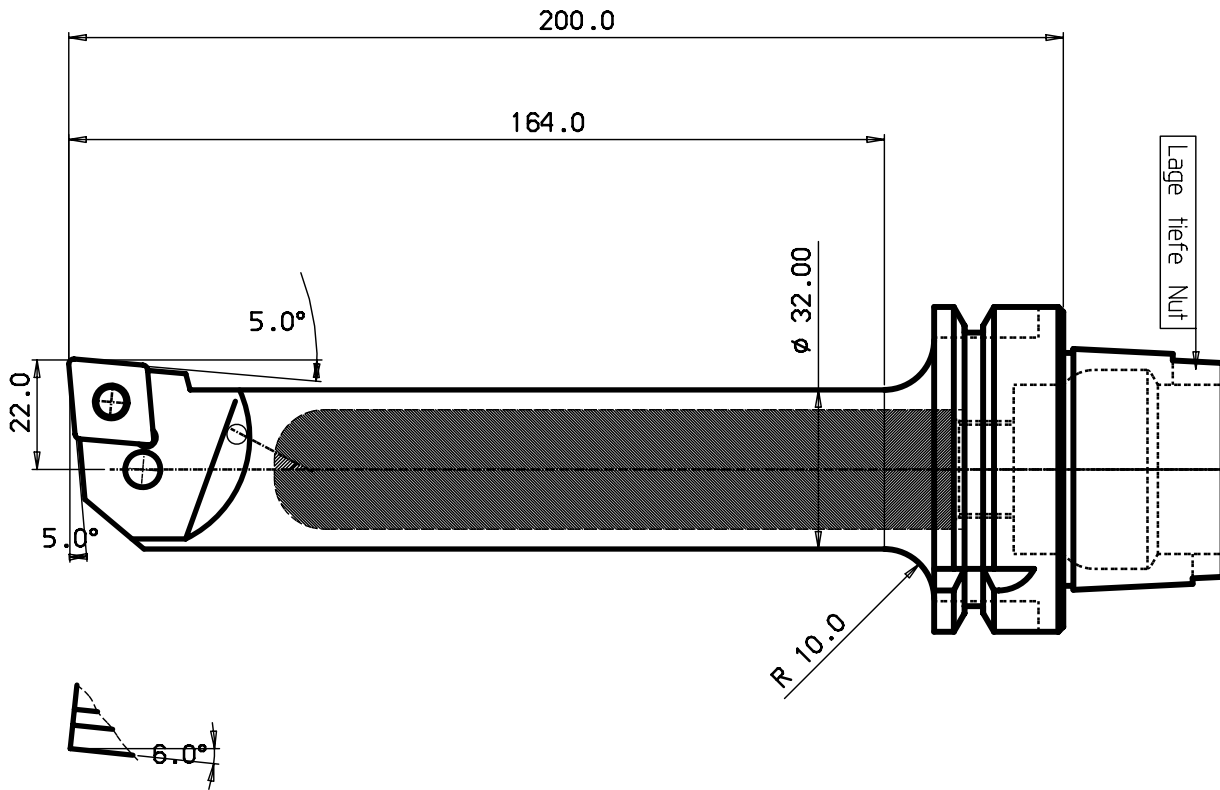
MICROFILMED



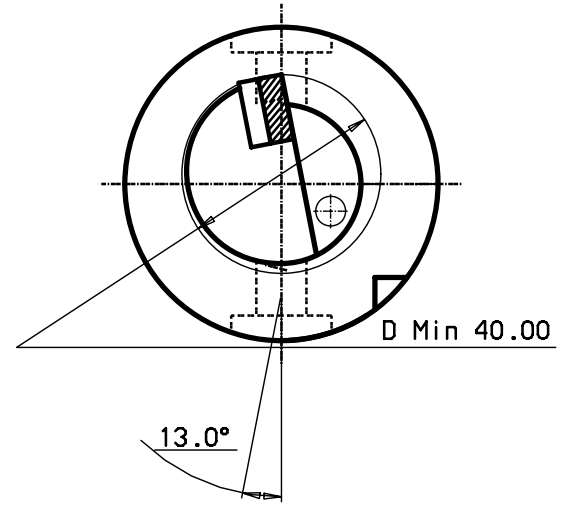
340-07000-2

100
90
80
70
60
40
30
20
10
0

DESIGN OFFICE | DRAWING NUMBER



HSK 63 - A



HM-Platte CN..160608

5	1	Schraube	438.3-831
4	1	Rohrstift	174.3-864
3	1	Unterlage	
2	1	Knihebel	438.3-840
1			

Tolerance systems acc to ISO			
Surface roughness Ra um			
Where tolerance not stated: For threads SS-iso 965/3 For dimensions SS 715 Medium			
Dimension	Tol	Angle (Shortest adjacent side in mm)	Tol
(6) - 30	±0.10	(10) - 50	± 30'
(30) - 120	±0.30	(50) - 120	± 20'
(120) - 315	±0.50	(120) -	± 10'
(315) - 1000	±0.80		
MOD.	LOCATION	CHANGE REFERENCE	DATE SIGN

CATEGORY		DESIGNED	DRAWN	CHECKED	DATE	MATERIAL AND REMARKS	SCALE	RELATED DRAWING	DATE	SIZE
TITLE										
Schneidkopf										
REFERENCE										
MODIFICATION		ABCDEFGHIJKLMNPQRSTUWXYZ								
DESIGN OFFICE		DRAWING NUMBER								
HSK63A-PCLNL-2232200-16										

