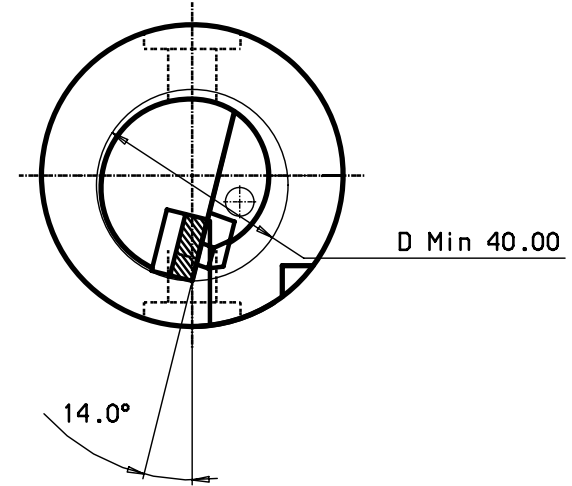
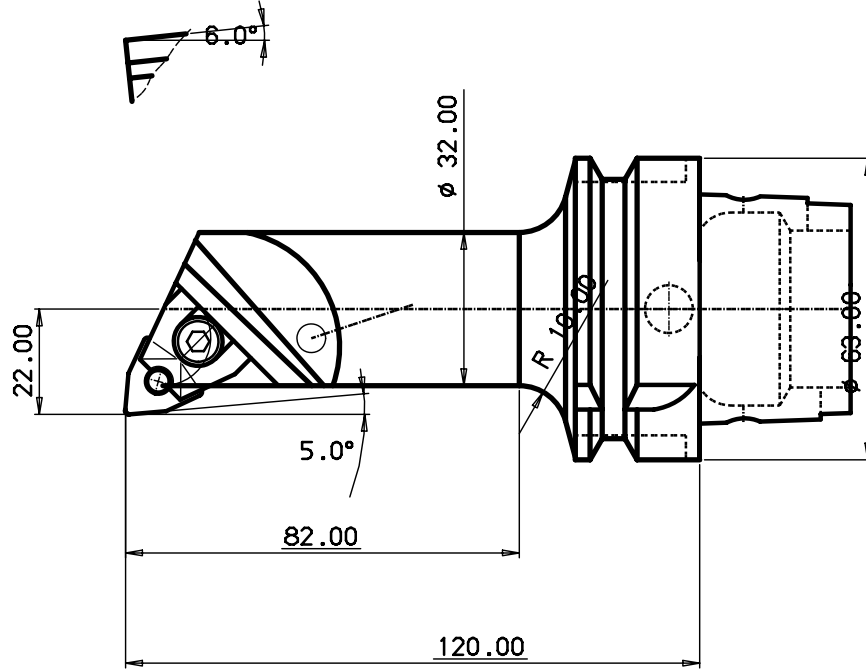


Show of hatched area in perspective lines of any hole or
 hole is not to be drawn with an arrow pointing to the
 hatching means the property of the drawing is valid

100
90
80
70
60
40
30
20
10
0

MICROFILMED



HM-Platte WNMG080408

5	1	Schraube	3212 010-254
4	1	Mittensstift	5513 022-03
3	1	Unterlage	5322 331-07
2	1	Keilspannpratze	5431 125-02
1		Schaft	

ITEM	QNTY	DESCRIPTION	MATERIAL AND REMARKS	RELATED DRAWING	LITER	SIZE
CATEGORY	DESIGNED	DRAWN	CHECKED	DATE	SCALE	SUPERSEDES

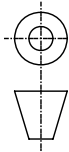
Schneidkopf
Cutting-Unit

MODIFICATION: ABCDEFGHIJKLMNOPQRSTUVWXYZ
 DESIGN OFFICE: DRAWING NUMBER: **HSK63A-MWLN-2232120-08**

Tolerance systems acc to ISO
Surface roughness Ra um

Where tolerance not stated:
For threads SS-iso 965/3
For dimensions SS 715 Medium

Dimension	Tol	Angle (shortest adjacent side in mm)	Tol
-6	±0.10	10	± 1'
(6) - 30	±0.20	10	± 30'
(30) - 120	±0.30	(10) - 50	± 20'
(120) - 315	±0.50	(50) - 120	± 10'
(315) - 1000	±0.80	(120) -	± 10'



340-07000-2

MOD	LOCATION	CHANGE REFERENCE	DATE	SIGN