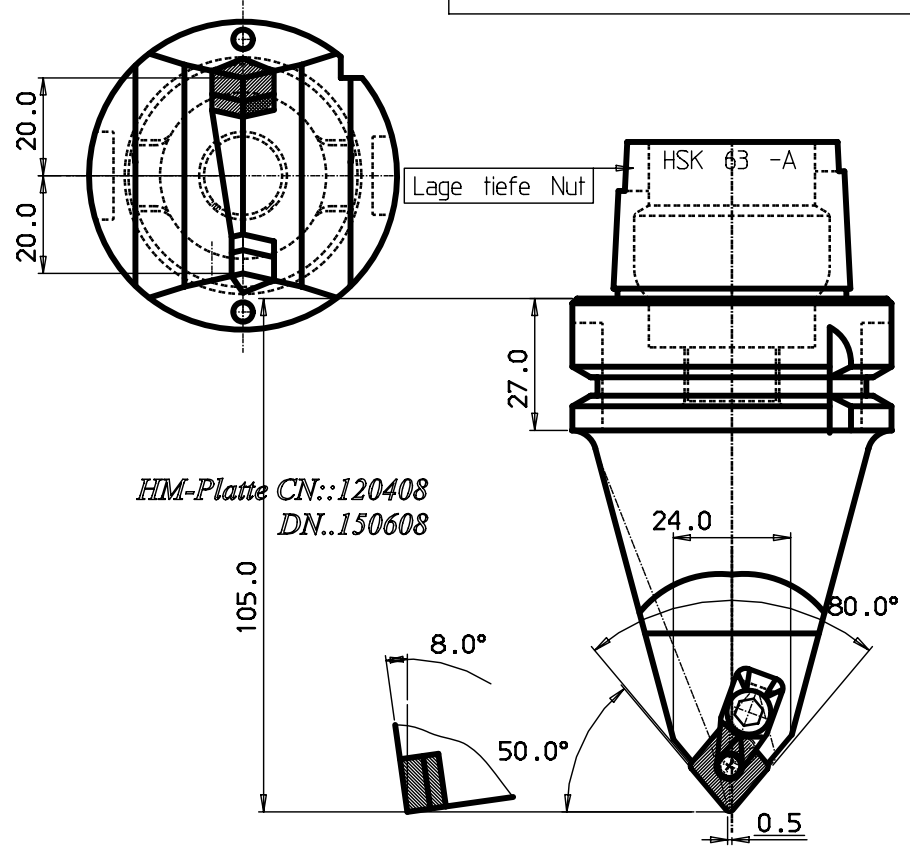
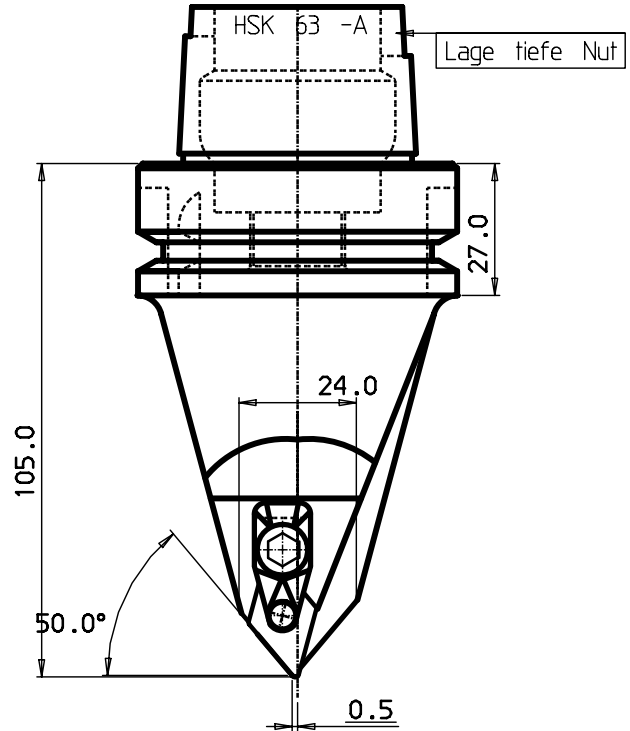
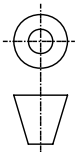


Show of detail over the complete line of an item and its sub-assembly to be used when the part is not shown in detail. This drawing means the property of the SHAWA (GEM)

100 mm  
 90  
 80  
 70  
 60  
 40  
 30  
 20  
 10  
 0

MICROFILMED



ITEM	QNTY	DESCRIPTION	MATERIAL AND REMARKS	RELATED DRAWING	ITEM	SIZE
8	1	Schraube f. Unterlage			5513	020-02
7	1	Unterlage			5322	266-02
6	1	Spannsatz			5412	028-021
5	1	Schraube f. Unterlage			5513	020-02
4	1	Unterlage			5322	234-01
3	1	Spannsatz			5412	028-021
2	1	Schaft				
1						

CATEGORY	DESIGNED	DRAWN	CHECKED	DATE	SCALE	SUPERSEDES

TITLE: **Schneidkopf**

REFERENCE: \_\_\_\_\_

MODIFICATION: \_\_\_\_\_

DESIGN OFFICE: \_\_\_\_\_ DRAWING NUMBER: **HSK63A-T-DCM12DDM15L105**