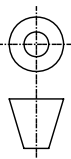


Show a detail view to complete the line of an item  
 and to be used for the purpose of a drawing  
 This drawing remains the property of the SHAWM CORP.

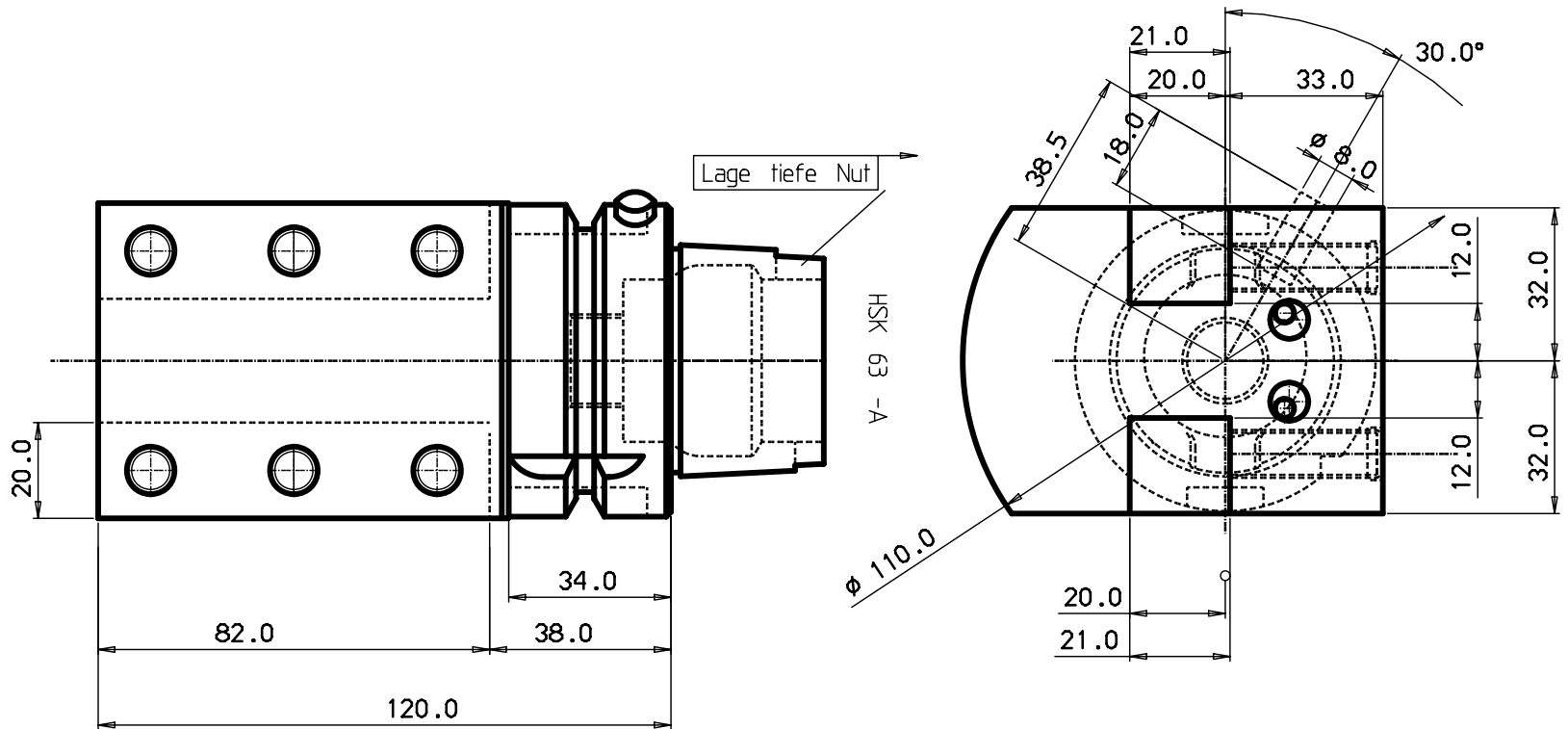
MICROFILMED

100  
90  
80  
70  
60  
40  
30  
20  
10  
0



340-07000-2

DESIGN OFFICE | DRAWING NUMBER



6					
5					
4					
3	1	KM-Duese		5691 029-02	
2	3	Schraube		3214 040-461	
1					
ITEM	QNTY	DESCRIPTION	MATERIAL	REMARKS	RELATED DRAWING

CATEGORY	DESIGNED	DRAWN	CHECKED	DATE	SCALE	SUPERSEDES
----------	----------	-------	---------	------	-------	------------

TITLE																																																						
<i>Adapter</i>																																																						
REFERENCE																																																						
<table border="1"> <tr> <td>MODIFICATION</td> <td>A</td><td>B</td><td>C</td><td>D</td><td>E</td><td>F</td><td>G</td><td>H</td><td>I</td><td>J</td><td>K</td><td>L</td><td>M</td><td>N</td><td>P</td><td>R</td><td>S</td><td>T</td><td>U</td><td>V</td><td>X</td><td>Y</td><td>Z</td> </tr> <tr> <td>DESIGN OFFICE</td> <td colspan="23">DRAWING NUMBER</td> </tr> </table>							MODIFICATION	A	B	C	D	E	F	G	H	I	J	K	L	M	N	P	R	S	T	U	V	X	Y	Z	DESIGN OFFICE	DRAWING NUMBER																						
MODIFICATION	A	B	C	D	E	F	G	H	I	J	K	L	M	N	P	R	S	T	U	V	X	Y	Z																															
DESIGN OFFICE	DRAWING NUMBER																																																					
<b>HSK63A-ASHS-32120-20-STI</b>																																																						



MOD	LOCATION	CHANGE	REFERENCE	DATE	SIGN

Tolerance systems acc to ISO			
Surface roughness Ra um			
Where tolerance not stated: For threads SS-ISO 965/3 For dimensions SS 715 Medium			
Dimension	Tol	Angle (Shortest adjacent side in mm)	Tol
-6	±0.10	10	± 1'
(6) - 30	±0.20	10	± 30'
(30) - 120	±0.30	(50) - 50	± 20'
(120) - 315	±0.50	(50) - 120	± 20'
(315) - 1000	±0.80	(120) -	± 20'