

MOD.	LOCATION	CHANGE REFERENCE	DATE	SIGN.

63 - 30	± 0,30	100 - 120	± 0,50	10
120 - 315	± 0,50	150 - 120	± 0,50	20
315 - 1000	± 0,80	120 -	± 0,50	30
			± 1'	

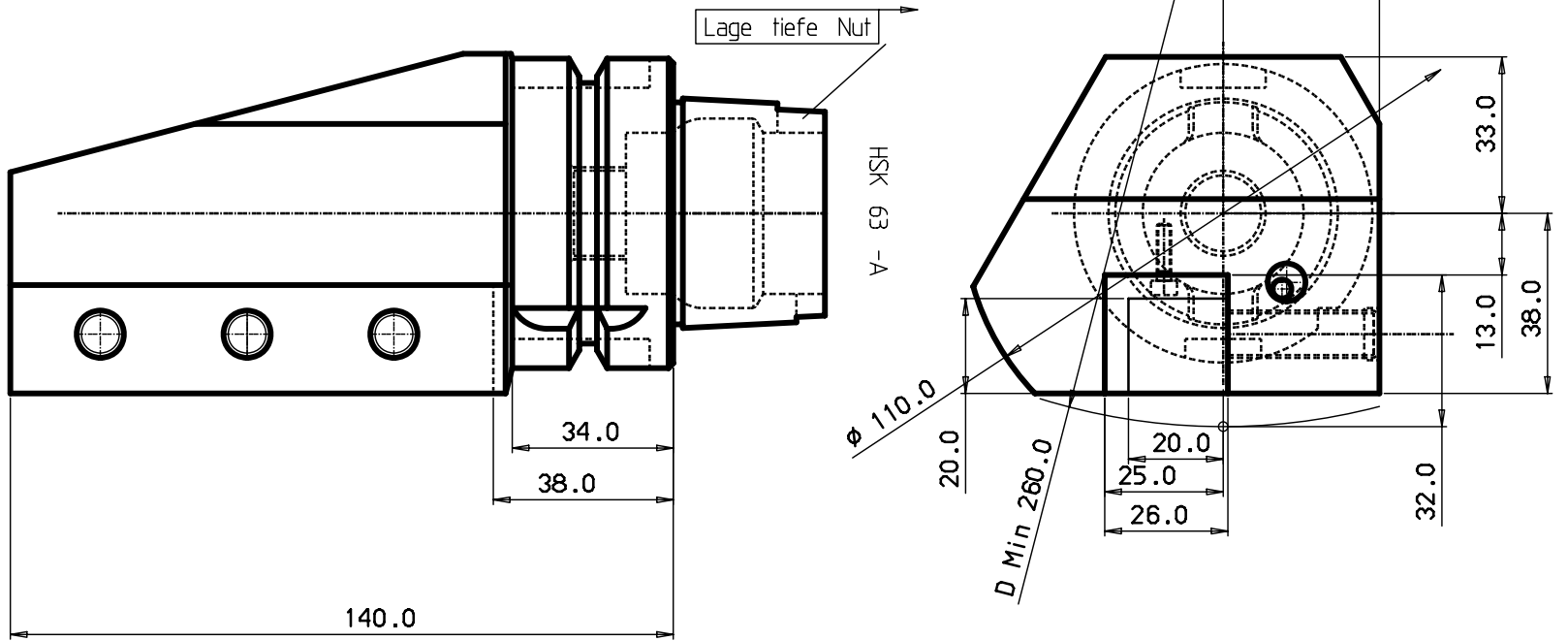
DESIGN OFFICE	DRAWING NUMBER
	<b>HSK63A-ASHR-38140-25</b>

1	2	3	4	5	6	7	8
---	---	---	---	---	---	---	---

Show of thread and chamfered lines of an HSK part  
 will only in the case where the part is not shown in the  
 drawing means the property of the HSK standard

MICROFILMED

100  
90  
80  
70  
60  
40  
30  
20  
10  
0



6			
5			
4			
3	1	KM-Duese	5691 029-02
2	3	Schraube	3214 040-461
1			

ITEM	QNTY	DESCRIPTION	MATERIAL	REMARKS	RELATED DRAWING	ITEM	ISO
CATEGORY	DESIGNED	DRAWN	CHECKED	DATE	SCALE	SUPERSEDES	

TITLE: **Adapter**



REFERENCE	MODIFICATION	DESIGN OFFICE	DRAWING NUMBER
			<b>HSK63A-ASHR-38140-25</b>

MOD.	LOCATION	CHANGE REFERENCE	DATE	SIGN.

Tolerance systems acc to ISO  
 Surface roughness Ra um ,  
 Where tolerance not stated:  
 For threads SS-iso 965/3  
 For dimensions SS 715 Medium

Dimension	Tol	Angle (Shortest adjacent side in mm)	Tol
6 - 30	± 0,10	10	± 1'
30 - 120	± 0,20	50	± 30'
120 - 315	± 0,30	150 - 120	± 20'
315 - 1000	± 0,50	120 -	± 10'

1	2	3	4	5	6	7	8
---	---	---	---	---	---	---	---