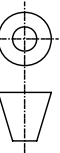


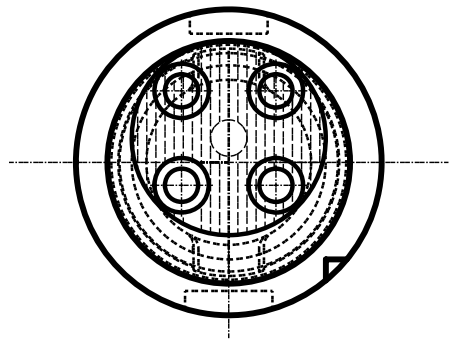
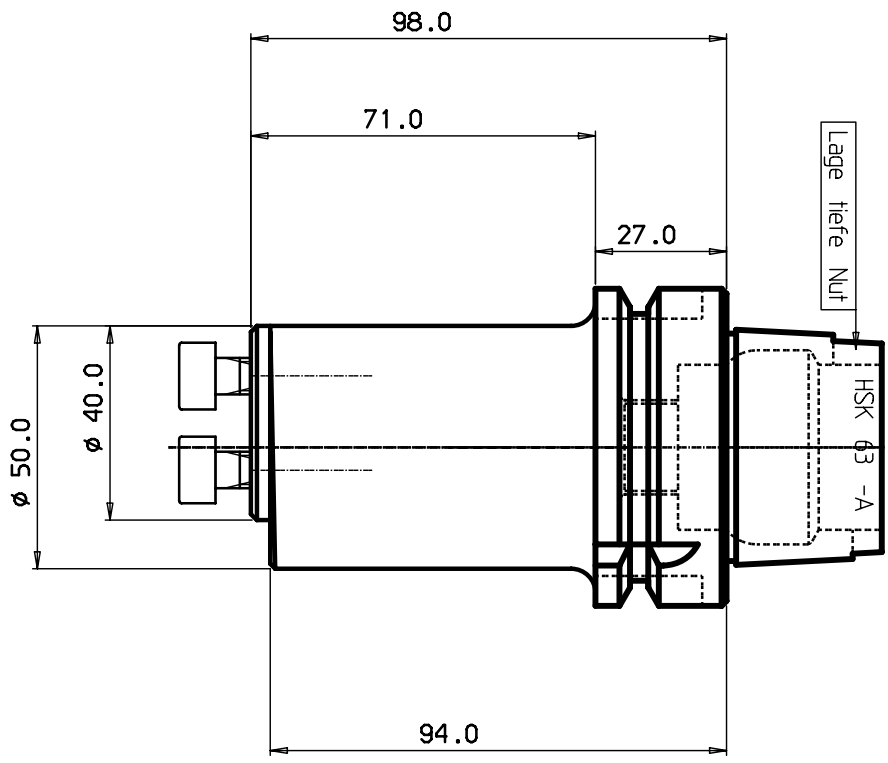
Show a detail over dimensions lines or an enlarged detail and do not be confused with an enlarged detail. This drawing remains the property of ZPS SWANIK (CZ) s.r.o.



MICROFILMED



340-0700-2



DESIGN OFFICE | DRAWING NUMBER

MOD.	LOCATION	CHANGE REFERENCE	DATE	SIGN.

Tolerance systems acc to ISO
 Surface roughness Ra um

Where tolerance not stated:
 For threads SS-iso 965/3
 For dimensions SS 715 Medium

Dimension	Tol.	Angle (Shortest adjacent side in mm)	Tol.
-6	±0.10	-	-
(6) - 30	±0.20	-	-
(30) - 120	±0.30	10	± 1'
(120) - 315	±0.50	10	± 30"
(315) - 1000	±0.80	120	± 30"
(1000) -	±1.00	120	± 30"

ITEM	QNTY	DESCRIPTION	MATERIAL AND REMARKS	RELATED DRAWING	UNIT	USE
1		Schaff				
CATEGORY	DESIGNED	DRAWN	CHECKED	DATE	SCALE	SUPERSEDES
TITLE						
<i>Adapter</i>						
REFERENCE	MODIFICATION	ABCDEFGHIJKLMNPRSTUVWXYZ				
DESIGN OFFICE		DRAWING NUMBER				
HSK63A-570-2c-50098-40L						

