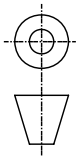
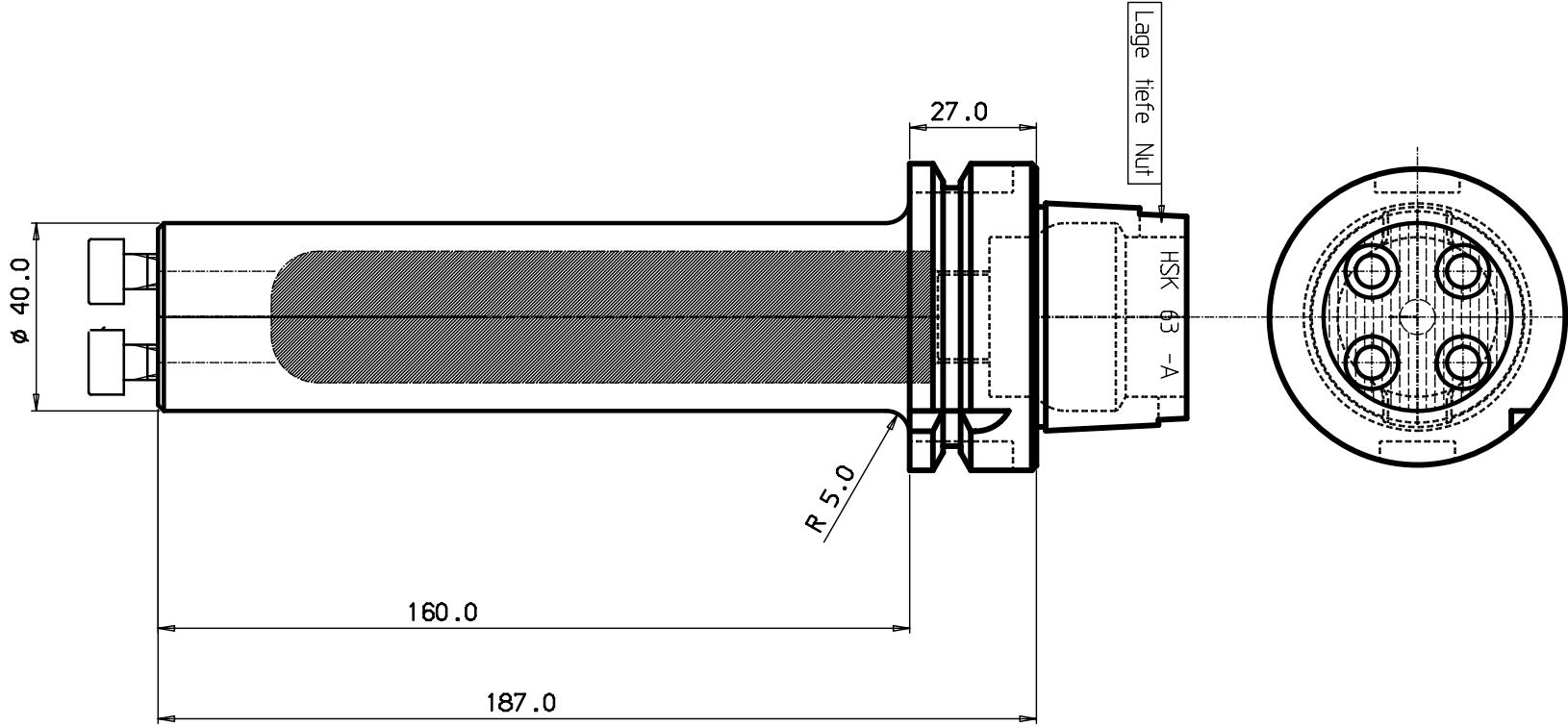


Show a detail over the diameter lines of the shaft
 and a detail over the diameter lines of the shaft
 and a detail over the diameter lines of the shaft
 and a detail over the diameter lines of the shaft

DESIGN OFFICE | DRAWING NUMBER

100 mm 90 80 70 60 40 30 20 10 0

MICROFILMED



340-01010-2

MOD.	LOCATION	CHANGE	REFERENCE	DATE	SIGN

Tolerance systems acc to ISO
 Surface roughness Ra um

Where tolerance not stated:
 For threads SS-iso 965/3
 For dimensions SS 715 Medium

Dimension	Tol.	Angle (Shortest adjacent side in mm)	Tol.
6) - 30	±0,10	10	± 1'
30) - 120	±0,20	10	± 30'
120) - 315	±0,30	10	± 20'
315) - 1000	±0,50	10	± 10'

ITEM	QNTY	DESCRIPTION	DESIGNED	DRAWN	CHECKED	DATE	MATERIAL AND REMARKS	RELATED DRAWING	UTM	1:500
1		Schaft								
<p>TITLE: <i>Adapter</i></p> <p>REFERENCE: _____</p> <p>MODIFICATION: _____</p> <p>DESIGN OFFICE: _____</p> <p>DRAWING NUMBER: HSK63A-570-2C-40187-HMK</p>										

