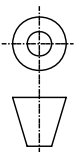
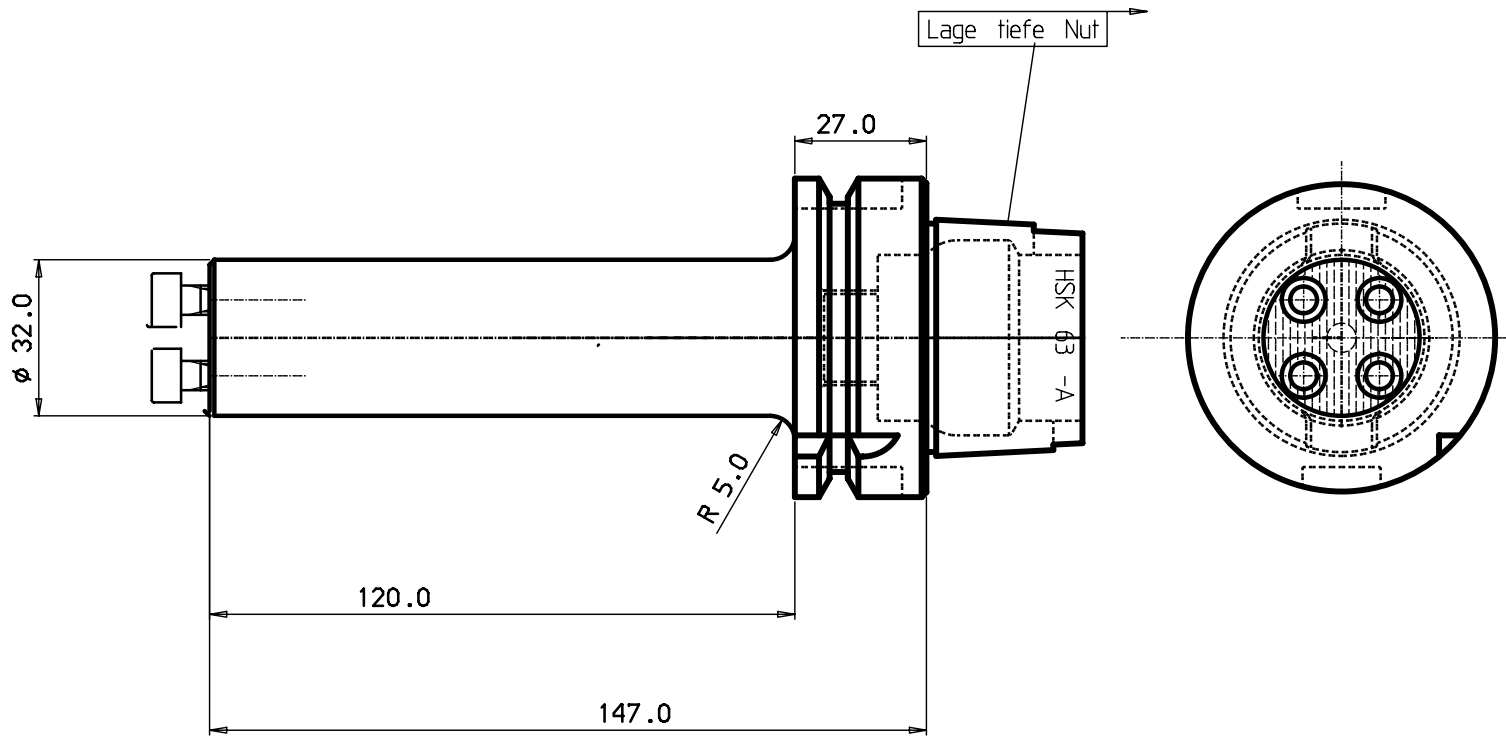


This drawing is intended for manufacturing purposes only. It is not to be used for design or engineering purposes.

MICROFILMED

100 mm
 90
 80
 70
 60
 40
 30
 20
 10
 0

DESIGN OFFICE | DRAWING NUMBER



340-0700-2

MOD.	LOCATION	CHANGE REFERENCE	DATE	SIGN

Tolerance systems acc to ISO
 Surface roughness Ra um

Where tolerance not stated:
 For threads SS-iso 965/3
 For dimensions SS 715 Medium

Dimension	Tol	Angle (Shortest adjacent side in mm)	Tol
-6	+0,10	10	± 1'
(6) - 30	+0,20	10	± 30'
(30) - 120	+0,30	10	± 20'
(120) - 315	+0,50	10	± 20'
(315) - 1000	+0,80	120	± 10'

ITEM	QNTY	DESCRIPTION	MATERIAL AND REMARKS	RELATED DRAWING	LITRA	LSZE
CATEGORY	DESIGNED	DRAWN	CHECKED	DATE	SCALE	SUPERSEDES
TITLE <i>Adapter</i>						
REFERENCE			MODIFICATION	ABCDEFGHIJKLMNPRSTUVWXYZ		
			DESIGN OFFICE	DRAWING NUMBER		
<i>HSK63A-570-2C-32147</i>						

