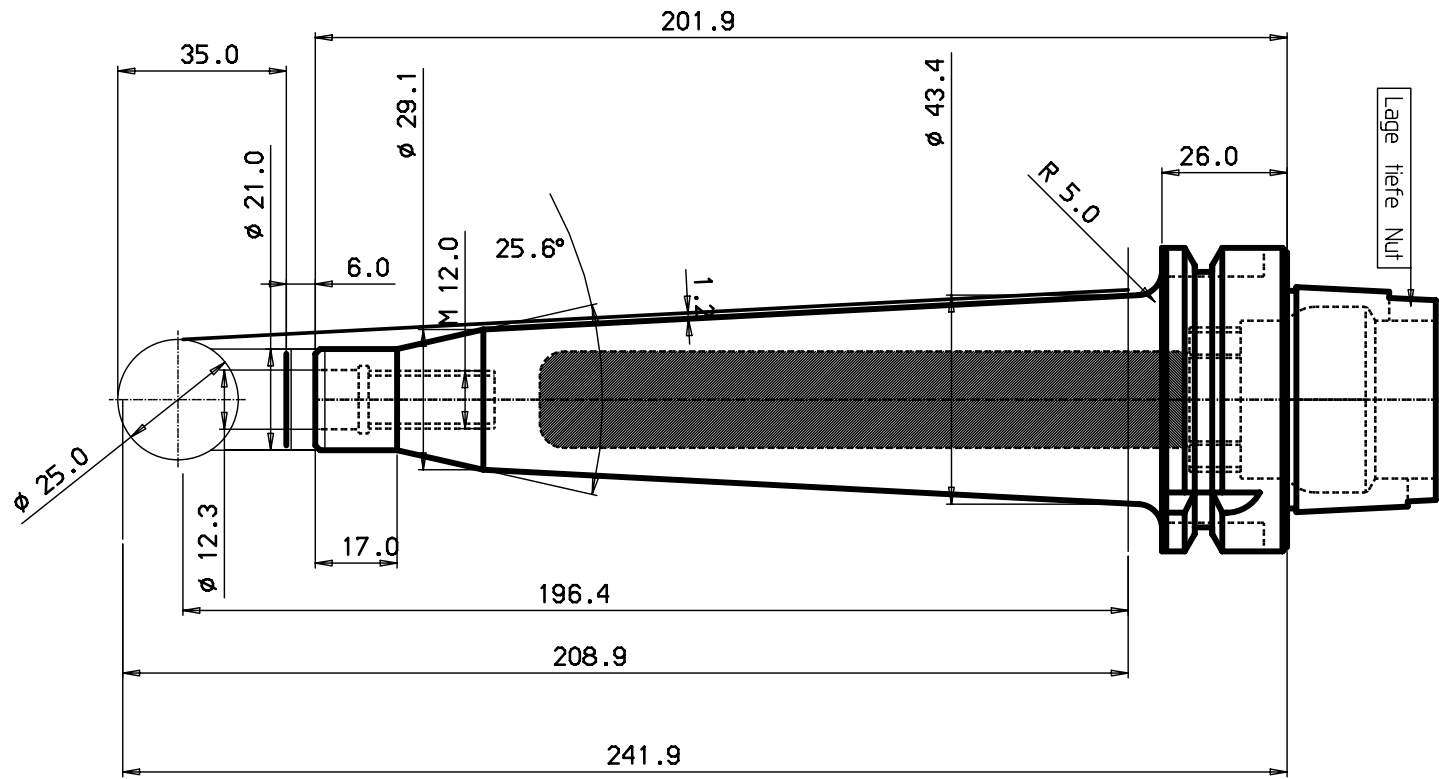


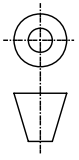
Show a detail view to complete this drawing if any detail view
 and show the detail view in perspective of the detail view
 this drawing under the property of HAVRANEK COMPANY



MICROFILMED



HSK 63 -A



340-00100-2

MOD	LOCATION	CHANGE	REFERENCE	DATE	SIGN

Tolerance systems acc to ISO
 Surface roughness Ra um

Where tolerance not stated:
 For threads SS-iso 965/3
 For dimensions SS 715 Medium

Dimension	Tol	Angle (Shortest adjacent side in mm)	Tol
(6) - 30	±0.10	10	± 1'
(30) - 120	±0.20	10	± 30'
(120) - 315	±0.50	(50) - 120	± 20'
(315) - 1000	±0.80	(120) -	± 10'

ITEM	QNTY	DESCRIPTION	MATERIAL AND REMARKS	RELATED DRAWING	UTM	ISSUE
CATEGORY	DESIGNED	DRAWN	CHECKED	DATE	SCALE	SUPERSEDES
TITLE HSK Aufnahme						
REFERENCE			MODIFICATION	DESIGN OFFICE	DRAWING NUMBER	
					HSK63A-391TD-12186	

