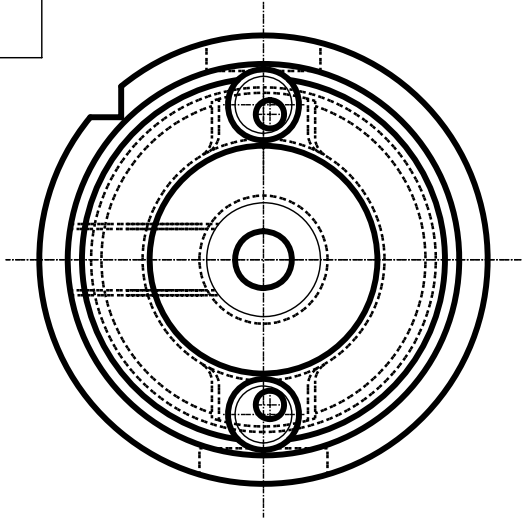
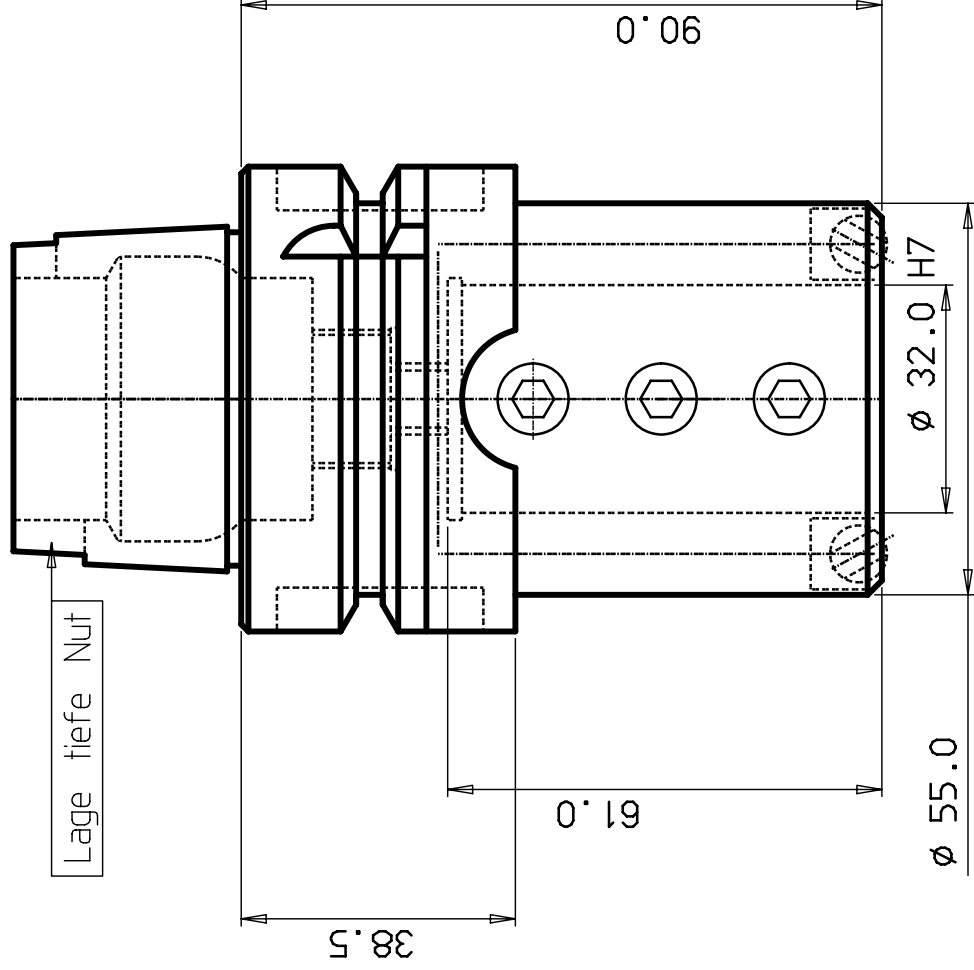


DESIGN OFFICE | DRAWING NUMBER



HSK 63 -A



ITEM	QNTY	DESCRIPTION	MATERIAL AND REMARKS	RELATED DRAWING	SCALE	DATE	CHECKED	DRAWN	SUPERSEDES	ITEM	SIZE
CATEGORY	DESIGNED										
TITLE											
REFERENCE											

HAVERANEK
Karl Haveranek
Tel. 07557780
Fax. 075577801
Internet: www.haveranek.com
E-Mail: info@haveranek.com

Werkzeugaufnahme

MODIFICATION | DRAWING NUMBER
DESIGN OFFICE | DRAWING NUMBER

ABCDEFGHIJKLMNOPQRSTUVWXYZ
HSK63A-32090-55-E2