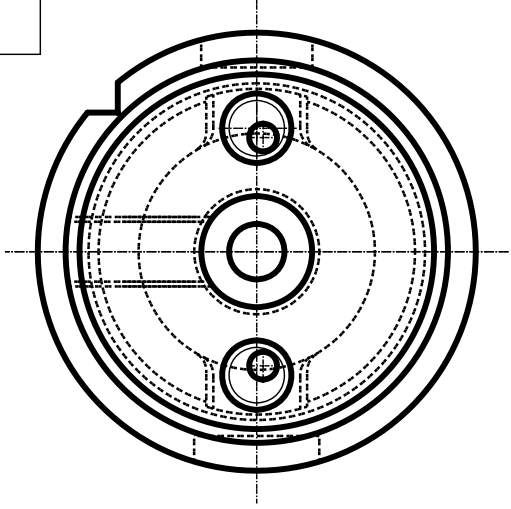
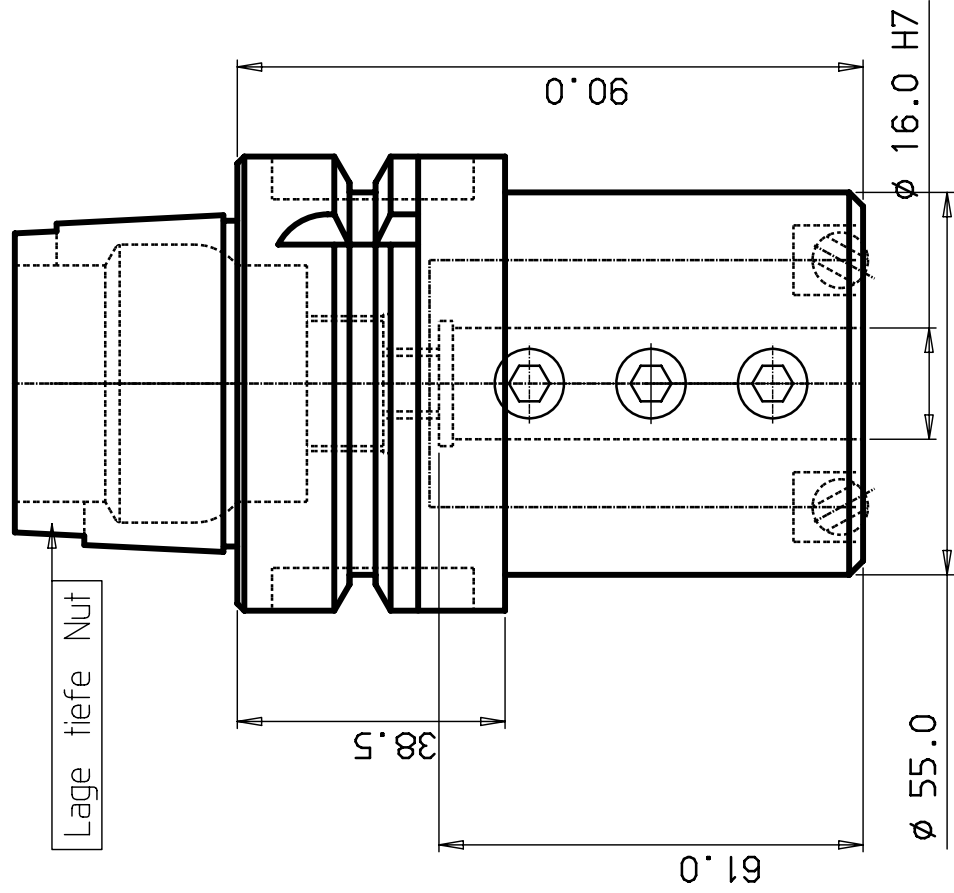


DESIGN OFFICE | DRAWING NUMBER



HSK 63 -A



ITEM	Q'NTY	DESCRIPTION	MATERIAL AND REMARKS	RELATED DRAWING	LIBR.	ISBE
CATEGORY	DESIGNED	DRAWN	CHECKED	DATE	SCALE	SUPERSEDES
TITLE						
<i>Werkzeugaufnahme</i>						
REFERENCE			MODIFICATION	DESIGN OFFICE	DRAWING NUMBER	
			ABCDEFI GHI JKLMNPRSTUVXYZ		HSK63A-16090-55-E2	

