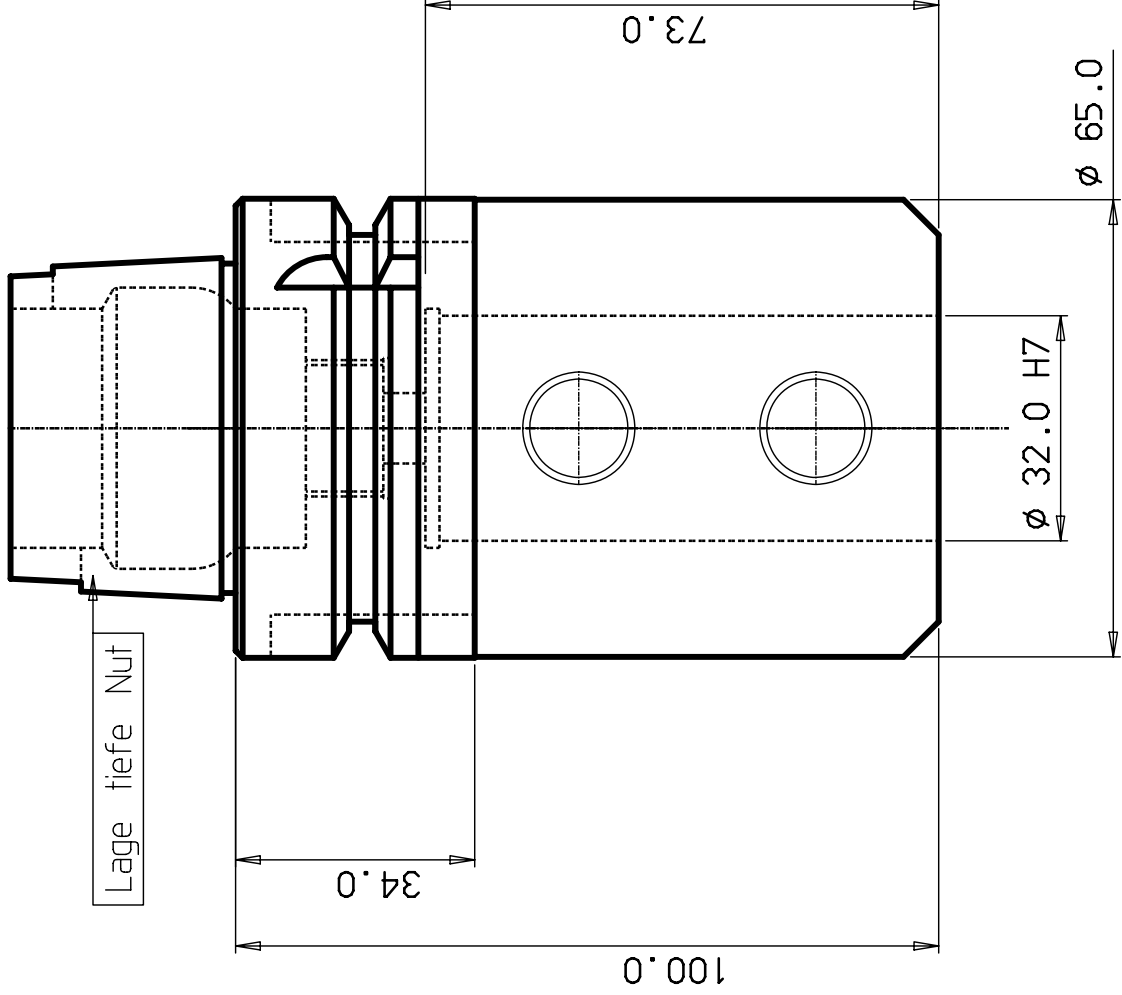


HSK 63 -A



1	2	Schraube	4.16.1-838
ITEM	QNTY	DESCRIPTION	MATERIAL AND REMARKS
CATEGORY	DESIGNED	DRAWN	CHECKED
	DATE	DATE	SCALE
			SUPERSEDES
TITLE			
<i>Werkzeugaufnahme</i>			
REFERENCE	MODIFICATION	DESIGN OFFICE	DRAWING NUMBER
	ABCDEFGHIJKLIMNPQRSTUWXY Z		HSK63A-06532100-UB

HAVRANEK
WSTZ **Barbora Havranek**
 Tel. 07557780
 Fax. 075577801
 Internet www.havranek.cz
 E-Mail Barbora.havranek@sez.com