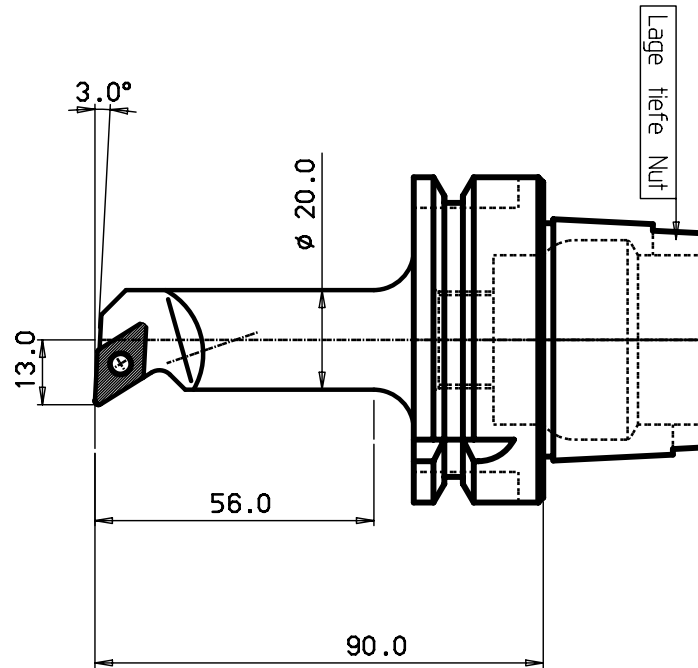
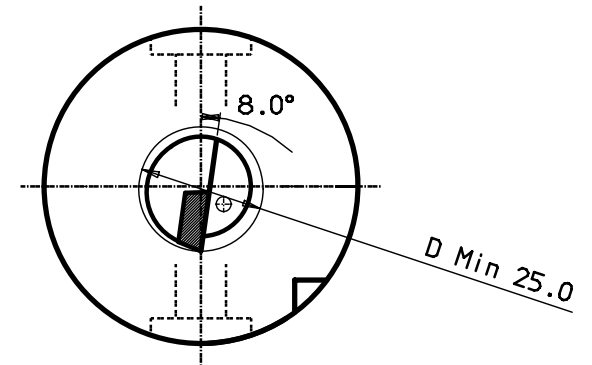


Zeichnung ist Eigentum der HAVRANEK s.p.a. und darf nicht ohne schriftliche Genehmigung der HAVRANEK s.p.a. ververvielt werden.

DESIGN OFFICE | DRAWING NUMBER



HSK 63 - A



*HM-Platte DCMT 11T308*

ITEM	QNTY	DESCRIPTION	MATERIAL AND REMARKS	RELATED DRAWING	LITRA	LSRZ
2	1	Schraube f. Platte				
1						

CATEGORY	DESIGNED	DRAWN	CHECKED	DATE	SCALE	SUPERSEDES
TITLE						
<i>Schneidkopf</i>						
REFERENCE						
MODIFICATION			ABCDEFGHIJKLMNPQRSTUWXYZ			
DESIGN OFFICE			DRAWING NUMBER			
<b>HSK63A-SDUCR-13090-11</b>						

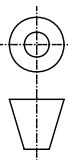
Tolerance systems acc to ISO  
Surface roughness Ra um

Where tolerance not stated:  
For threads SS-iso 965/3  
For dimensions SS 715 Medium

Dimension	Tol	Angle (Shortest adjacent side in mm)	Tol
(6) - 30	±0.10	10	± 1'
(30) - 120	±0.20	10	± 30'
(120) - 315	±0.30	(50) - 120	± 20'
(315) - 1000	±0.50	(120) -	± 40'

100 mm  
90  
80  
70  
60  
40  
30  
20  
10  
0

MICROFILMED



340-07000-2

MOD	LOCATION	CHANGE	REFERENCE	DATE	SIGN