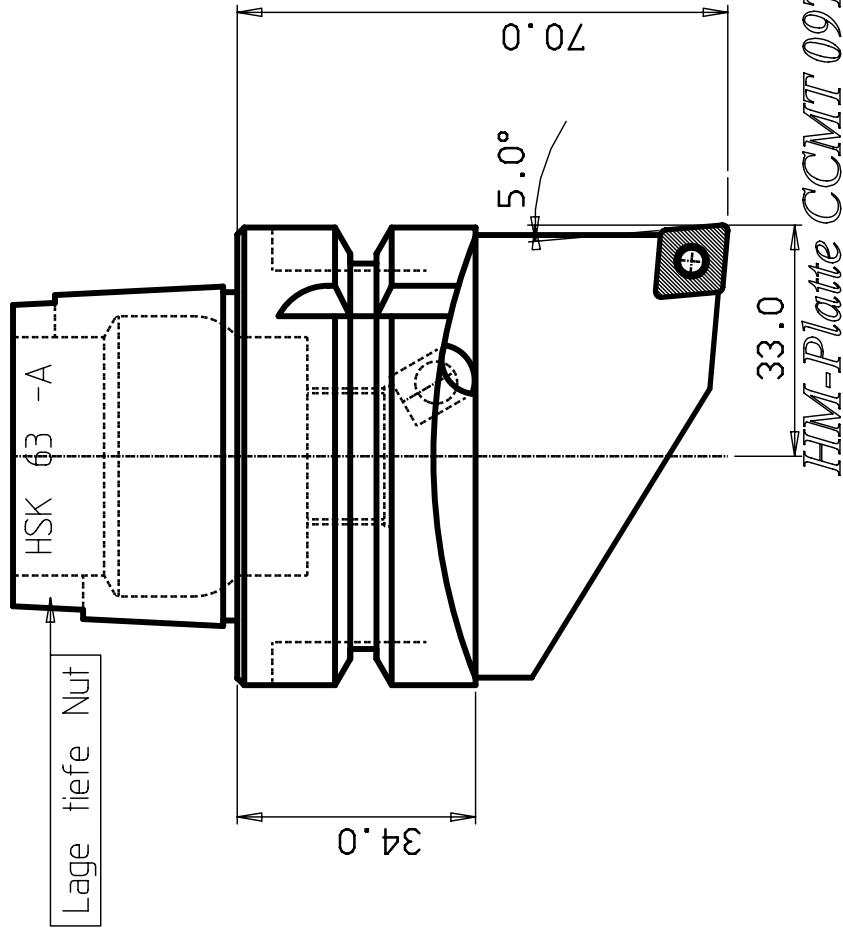
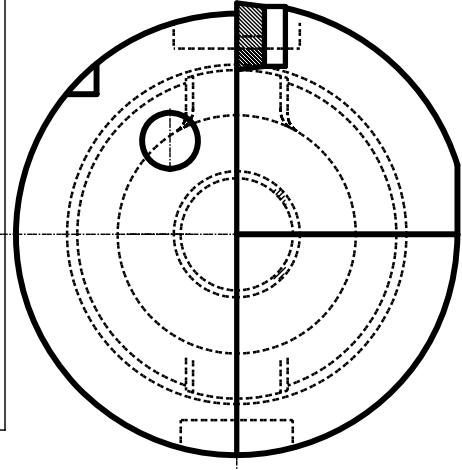


5 6 7 8 A B C D E F

DESIGN OFFICE | DRAWING NUMBER



HM-Platte CCMT 09T308

4	1	Schraube f. Zw	5512	090-01
3	1	Zwischenlage		
2	1	Schraube f. Platte	5513	020-01
1		Schaft		

ITEM	QNTY	DESCRIPTION	MATERIAL AND REMARKS	RELATED DRAWING	SCALE	DATE	CHECKED	DRAWN	SUPERSEDES
------	------	-------------	----------------------	-----------------	-------	------	---------	-------	------------

TITLE

Schneidkopf



MODIFICATION	ABCDEFGHIJKLMNPRSTUVWXYZ
DESIGN OFFICE	DRAWING NUMBER

HSK63A-SCLCR-03370-09

ISO
Ra um i
stated: 65/3
175 Medium
Angle (Shortest adjacent side in mm)
10
30
50
100
150
200
Total
+ 1'
+ 30'
+ 40'
+ 10'

5 6 7 8 5