

5

6

7

8

DESIGN OFFICE | DRAWING NUMBER

A

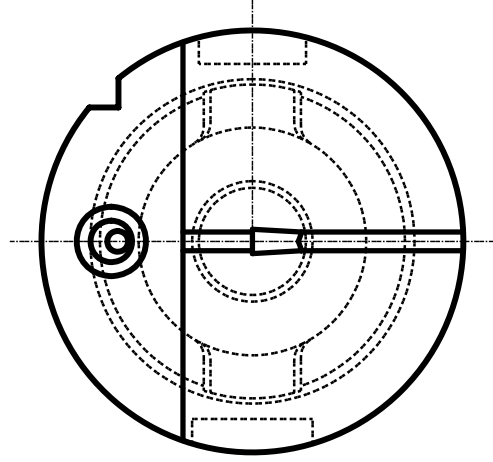
B

C

D

E

F

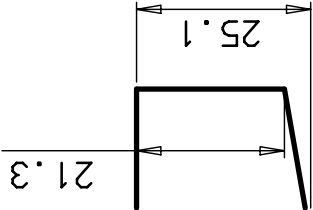


∅ 63.0

HSK 63 -A

Lage tiefe Nut

21.3



65.0°

70.0

3.0

Pl.Gr. "G"

10.0

ITEM QNTY DESCRIPTION

MATERIAL AND REMARKS

RELATED DRAWING

SIZE

cc to ISO

Ra um i

Rated:

Medium

Angle adjacent side in mm)

10	± 1°
(10) - 50	± 30'
(50) - 120	± 20'
(120)	± 10'

Tot

Schneidkopf



REFERENCE

MODIFICATION DESIGN OFFICE

ITEM PRISTUVXYZ

DRAWING NUMBER

HSK63A-NF123G20-00070B

5

6

7

8