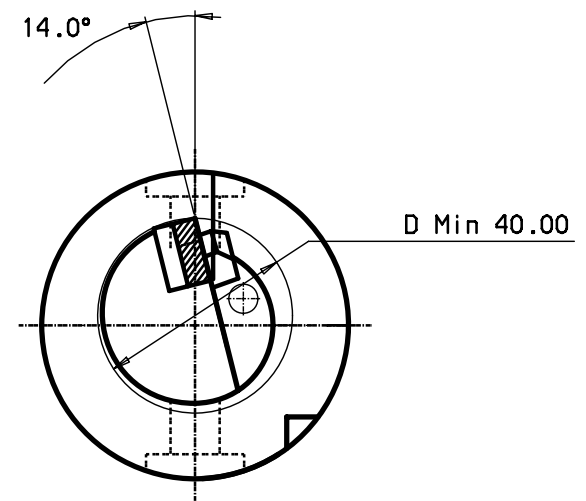
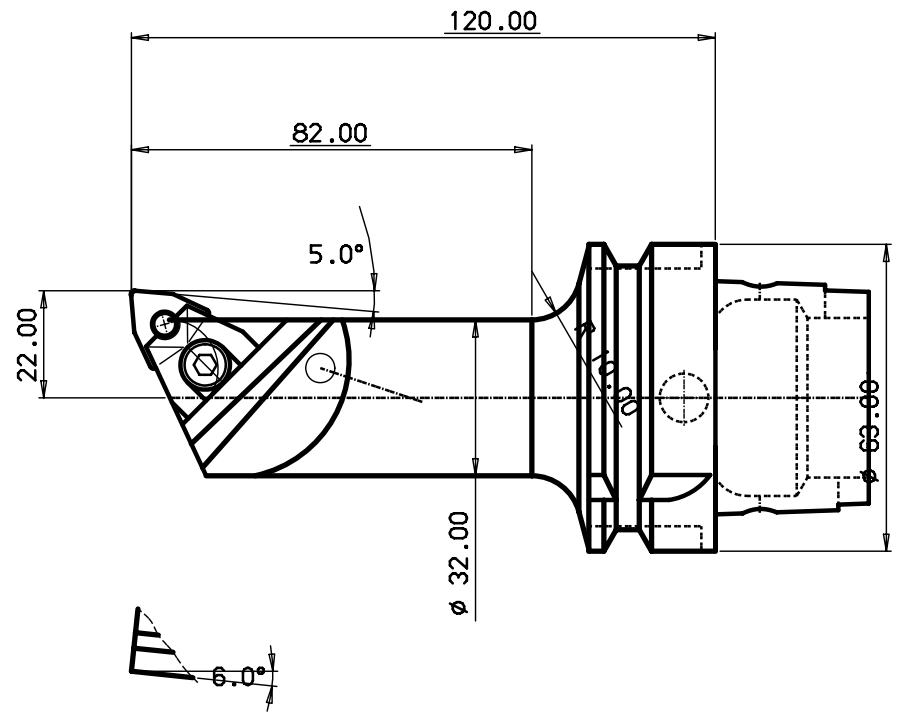


Drawing of technical part is a computerized drawing of the part and does not represent the actual part. The drawing is the property of the company and shall not be reproduced without the written permission of the company.

DESIGN OFFICE | DRAWING NUMBER

100 mm  
 90  
 80  
 70  
 60  
 40  
 30  
 20  
 10  
 0

MICROFILMED



HM-PLatte WNMG080408

5	1	Schraube	3212 010-254
4	1	Mittensift	5513 022-03
3	1	Unterlage	5322 331-07
2	1	Keilspannpratze	5431 125-02
1		Schaft	

ITEM	QNTY	DESCRIPTION	MATERIAL	AND REMARKS	RELATED DRAWING	UNIT	SIZE
DESIGNED	DRAWN	CHECKED	DATE	SCALE	SUPERSEDES		

TITLE

## Schneidkopf Cutting-Unit

REFERENCE

MODIFICATION	ABCDEFGHIJKLMNPQRSTUWXYZ
DESIGN OFFICE	DRAWING NUMBER

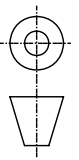
**HSK63A-MWLN-2232120-08**



Tolerance systems acc to ISO  
Surface roughness Ra um

Where tolerance not stated:  
For threads SS-iso 965/3  
For dimensions SS 715 Medium

Dimension	Tol	Angle adjacent side in mm	Tol
-6	+0,10	10	± 1'
(6) - 30	+0,20	10	± 30'
(30) - 120	+0,30	(10) - 50	± 20'
(120) - 315	+0,50	(50) - 120	
(315) - 1000	+0,80	(120) -	



340-07000-2

MOD.	LOCATION	CHANGE	REFERENCE	DATE	SIGN