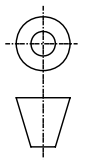
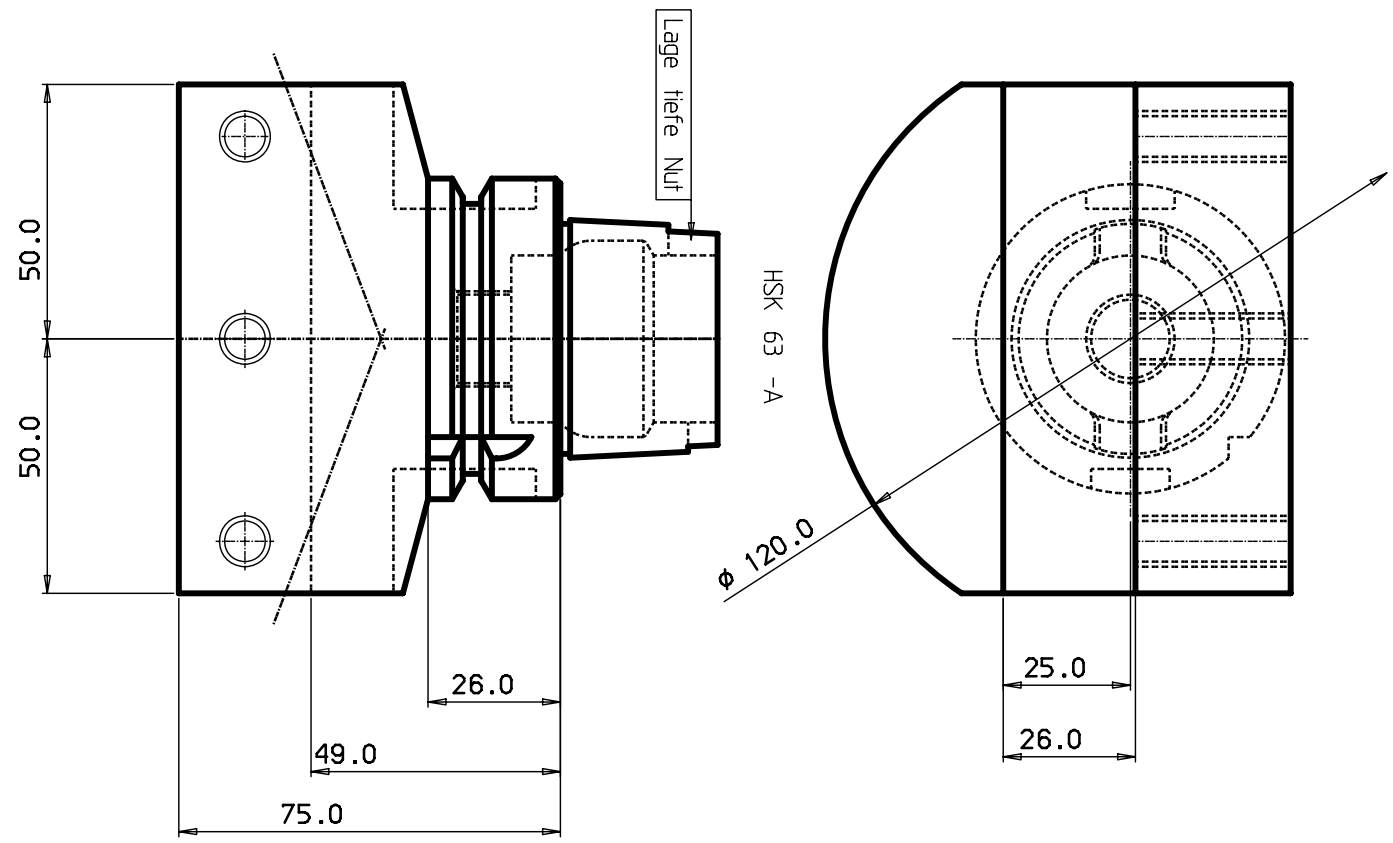


DESIGN OFFICE | DRAWING NUMBER

Show of thread and chamfered ends of all threads
 and chamfers to be done in accordance with the drawing
 and the drawing means the property of the drawing.

MICROFILMED

100 mm 90 80 70 60 40 30 20 10 0



310-0100-2

MOD.	LOCATION	CHANGE REFERENCE	DATE	SIGN

Tolerance systems acc to ISO
 Surface roughness Ra um

Where tolerance not stated:
 For threads SS-iso 965/3
 For dimensions SS 715 Medium

Dimension	Tol	Angle (Shortest adjacent side in mm)	Tol
-6	+0.10	10	± 1'
(6) - 30	+0.20	10	± 30'
(30) - 120	+0.30	(10) - 50	± 20'
(120) - 315	+0.50	(50) - 120	± 10'
(315) - 1000	+0.80	(120) -	± 10'

ITEM	QNTY	DESCRIPTION	MATERIAL AND REMARKS	RELATED DRAWING	LITH	ISO
CATEGORY	DESIGNED	DRAWN	CHECKED	DATE	SCALE	SUPERSEDES
TITLE						
REFERENCE				MODIFICATION	ABCDEFGHIJKLMNPQRSTUWXYZ	
DESIGN OFFICE DRAWING NUMBER						
Aufnahme HSK63A-ASHA-50075-25						

