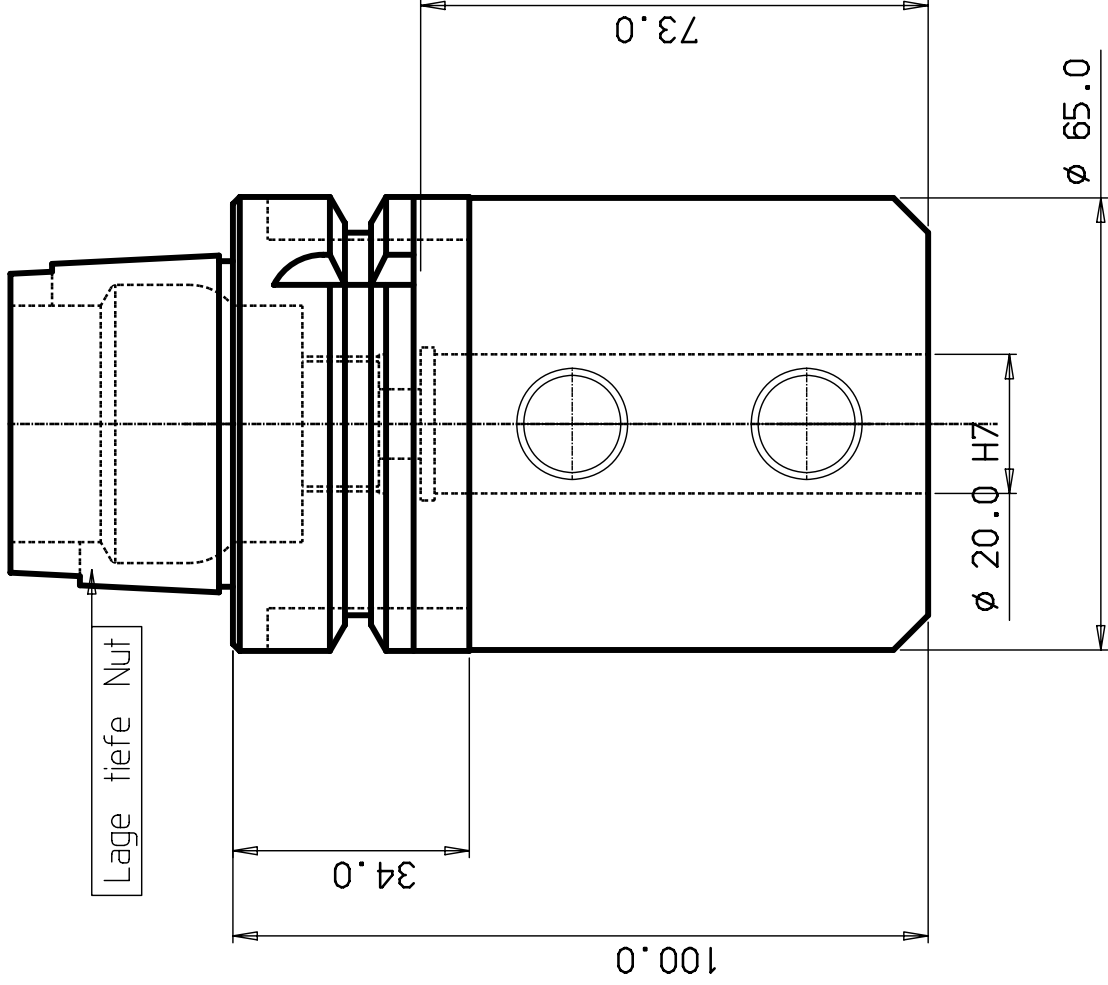


HSK 63 -A



1	2	Schraube	5514 042-04	MATERIAL AND REMARKS	RELATED DRAWING	LIBR	1	SIZE
ITEM	QNTY	DESCRIPTION						
CATEGORY	DESIGNED	DRAWN	CHECKED	DATE	SCALE	SUPERSEDES		

TITLE

Werkzeugaufnahme

XX
HAVRANEK
 14212, Brno
 Tel. 0753 9780
 Fax. 0753 97801
 Internet www.havranek.cz
 E-Mail: Barbara.havranek@ed.com

REFERENCE

MODIFICATION DESIGN OFFICE | DRAWING NUMBER

ABCDEFGHIJKLMNPIRSTUVWXYZ

HSK63A-06520100-UB