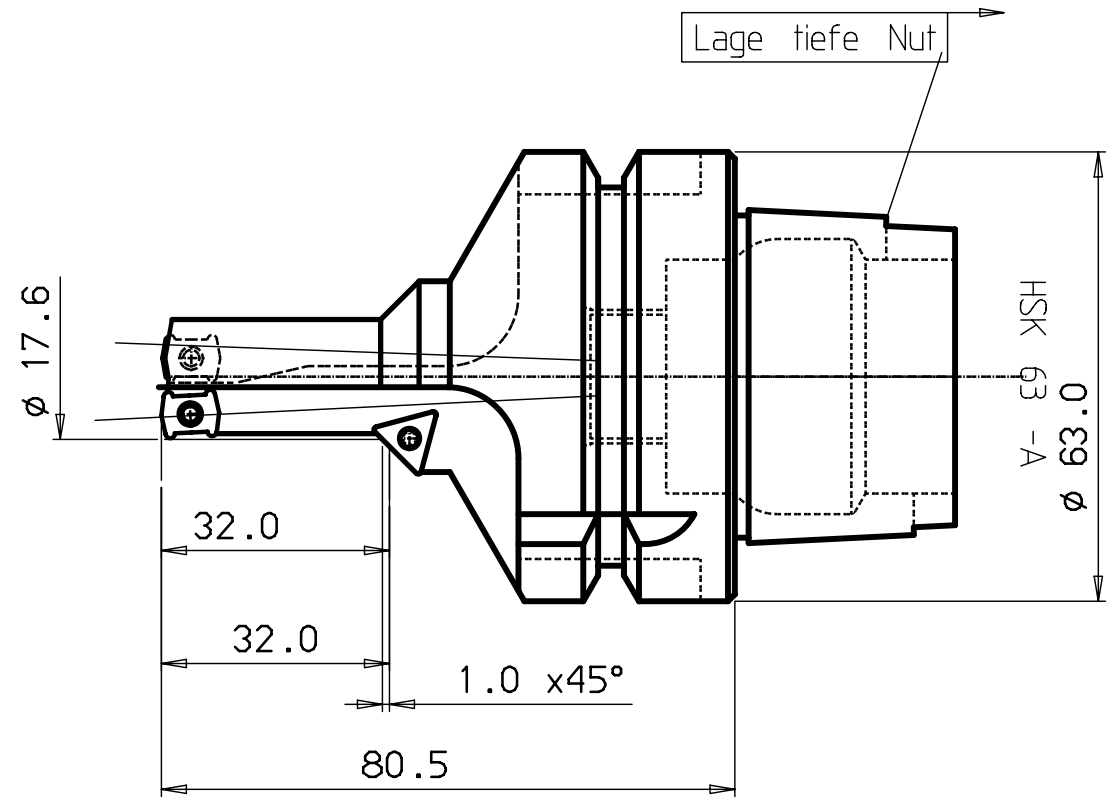


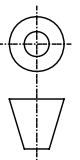
Show of thread and chamfered ends of all the parts
 and also to be clear from all parts of the drawing
 this drawing bears the property of the SHAWK COMPANY

MICROFILMED

100 mm
 90
 80
 70
 60
 40
 30
 20
 10
 0



HM-Platte LCMX 03...
TCMT 090204



340-07010-2

MOD. LOCATION	CHANGE REFERENCE	DATE	SIGN

Tolerance systems acc to ISO
 Surface roughness Ra um

Where tolerance not stated:
 For threads SS-iso 965/3
 For dimensions SS 715 Medium

Dimension	Tol	Angle (Shortest adjacent side in mm)	Tol
(6) - 30	±0.10	10	± 1'
(30) - 120	±0.20	10	± 30'
(120) - 315	±0.30	(10) - 50	± 20'
(315) - 1000	±0.50	(50) - 120	± 10'
	±0.80	(120) -	± 10'

ITEM	Q'NTY	DESCRIPTION	MATERIAL AND REMARKS	RELATED DRAWING	LITRA	ISO
CATEGORY	DESIGNED	DRAWN	CHECKED	DATE	SCALE	SUPERSEDES
TITLE						
<i>Bohrsenker</i>						
REFERENCE						
MODIFICATION			ABCDEFGHIJKLMNPRSTUVWXYZ			
DESIGN OFFICE			DRAWING NUMBER			
B-05-0010-HSK63A						

